

CX86500 SCXV.xx

**V.92/V.34/V.32bis Modem in 28-Pin or
38-Pin TSSOP with CX20493 SmartDAA®**

Data Sheet

Revision Record

Revision	Date	Comments
A	9/29/2003	Initial release.
B	11/4/2003	Rev. B release.
C	12/19/2003	Rev. C release.
D	2/9/2004	Rev. D release.
E	3/18/2004	Rev. E release.
F	7/19/2004	Rev. F release.

© 2003, 2004 Conexant Systems, Inc.
All Rights Reserved.

Information in this document is provided in connection with Conexant Systems, Inc. ("Conexant") products. These materials are provided by Conexant as a service to its customers and may be used for informational purposes only. Conexant assumes no responsibility for errors or omissions in these materials. Conexant may make changes to specifications and product descriptions at any time, without notice. Conexant makes no commitment to update the information and shall have no responsibility whatsoever for conflicts or incompatibilities arising from future changes to its specifications and product descriptions.

No license, express or implied, by estoppel or otherwise, to any intellectual property rights is granted by this document. Except as provided in Conexant's Terms and Conditions of Sale for such products, Conexant assumes no liability whatsoever.

THESE MATERIALS ARE PROVIDED "AS IS" WITHOUT WARRANTY OF ANY KIND, EITHER EXPRESS OR IMPLIED, RELATING TO SALE AND/OR USE OF CONEXANT PRODUCTS INCLUDING LIABILITY OR WARRANTIES RELATING TO FITNESS FOR A PARTICULAR PURPOSE, CONSEQUENTIAL OR INCIDENTAL DAMAGES, MERCHANTABILITY, OR INFRINGEMENT OF ANY PATENT, COPYRIGHT OR OTHER INTELLECTUAL PROPERTY RIGHT. CONEXANT FURTHER DOES NOT WARRANT THE ACCURACY OR COMPLETENESS OF THE INFORMATION, TEXT, GRAPHICS OR OTHER ITEMS CONTAINED WITHIN THESE MATERIALS. CONEXANT SHALL NOT BE LIABLE FOR ANY SPECIAL, INDIRECT, INCIDENTAL, OR CONSEQUENTIAL DAMAGES, INCLUDING WITHOUT LIMITATION, LOST REVENUES OR LOST PROFITS, WHICH MAY RESULT FROM THE USE OF THESE MATERIALS.

Conexant products are not intended for use in medical, lifesaving or life sustaining applications. Conexant customers using or selling Conexant products for use in such applications do so at their own risk and agree to fully indemnify Conexant for any damages resulting from such improper use or sale.

The following are trademarks of Conexant Systems, Inc.: Conexant® and the Conexant C symbol, and SmartDAA®. Product names or services listed in this publication are for identification purposes only, and may be trademarks of third parties. Third-party brands and names are the property of their respective owners.

For additional disclaimer information, please consult Conexant's Legal Information posted at www.conexant.com, which is incorporated by reference.

Reader Response: Conexant strives to produce quality documentation and welcomes your feedback. Please send comments and suggestions to tech.pubs@conexant.com. For technical questions, contact your local Conexant sales office or field applications engineer.

Contents

1. Introduction.....	1-1
1.1 Overview.....	1-1
1.2 Features.....	1-3
1.2.1 Applications.....	1-4
1.3 Technical Overview.....	1-4
1.3.1 General Description.....	1-4
1.3.2 Embedded MCU Firmware.....	1-4
1.3.3 Operating Modes.....	1-4
1.3.3.1 Data Modes.....	1-4
1.3.3.2 V.44 Data Compression.....	1-5
1.3.3.3 Synchronous Access Mode (SAM) - Video Conferencing.....	1-5
1.3.3.4 Voice Pass-Through Mode.....	1-5
1.3.3.5 Worldwide Operation.....	1-6
1.3.4 Reference Designs.....	1-7
1.4 Hardware Description.....	1-8
1.4.1 CX86500 Modem.....	1-8
1.4.2 Digital Isolation Barrier.....	1-8
1.4.3 CX20493 SmartDAA Line Side Device.....	1-8
1.5 Commands.....	1-9
2. Technical Specifications.....	2-1
2.1 Serial DTE Interface Operation.....	2-1
2.1.1 Automatic Speed/Format Sensing.....	2-1
2.2 Parallel Host Bus Interface Operation.....	2-1
2.3 Establishing Data Modem Connections.....	2-2
2.3.1 Dialing.....	2-2
2.3.2 Modem Handshaking Protocol.....	2-2
2.3.3 Call Progress Tone Detection.....	2-2
2.3.4 Answer Tone Detection.....	2-2
2.3.5 Ring Detection.....	2-2
2.3.6 Billing Protection.....	2-2
2.3.7 Connection Speeds.....	2-3
2.3.8 Automode.....	2-3
2.4 Data Mode.....	2-3
2.4.1 Speed Buffering (Normal Mode).....	2-3
2.4.2 Flow Control.....	2-3
2.4.3 Escape Sequence Detection.....	2-4
2.4.4 BREAK Detection.....	2-4
2.4.5 Telephone Line Monitoring.....	2-4

2.4.6	Fall Forward/Fallback (V.92/V.90/V.34/V.32 bis/V.32)	2-4
2.4.7	Retrain	2-4
2.4.8	Programmable Inactivity Timer	2-4
2.4.9	DTE Signal Monitoring (Serial DTE Interface Only)	2-4
2.4.10	Call Progress Speaker Interface	2-5
2.4.11	Serial EEPROM Interface	2-5
2.5	V.92 Features	2-5
2.5.1	Modem-on-Hold	2-5
2.5.2	Quick Connect	2-5
2.5.3	PCM Upstream	2-5
2.6	Error Correction and Data Compression	2-6
2.6.1	V.42 Error Correction	2-6
2.6.2	MNP 2-4 Error Correction	2-6
2.6.3	V.44 Data Compression	2-6
2.6.4	V.42 bis Data Compression	2-6
2.6.5	MNP 5 Data Compression	2-7
2.7	Voice Pass-Through Mode	2-7
2.8	Telephony Extensions	2-7
2.8.1	Line-in-Use Detection	2-7
2.8.2	Extension Pick-up Detection	2-7
2.8.3	Remote Hang-up Detection	2-8
2.9	Point-of-Sales Support	2-8
2.10	Tone Detectors	2-8
2.11	Call Waiting Tone Detection	2-8
2.12	Caller ID	2-8
2.13	Worldwide Country Support	2-9
2.14	Diagnostics	2-9
2.15	Low Power Modes	2-10
3.	Hardware Interface	3-1
3.1	CX86500 Hardware 28-Pin TSSOP with Serial Interface	3-1
3.1.1	CX86500 Modem 28-Pin TSSOP with Serial Interface Signal Summary	3-1
3.1.1.1	LSD Interface (Through DIB)	3-1
3.1.1.2	Call Progress Speaker Interface	3-1
3.1.1.3	Serial DTE Interface and Indicator Outputs	3-1
3.1.2	CX86500 Modem 28-Pin TSSOP with Serial Interface Pin Assignments and Signal Definitions	3-2
3.2	CX86500 Modem 38-Pin TSSOP with Serial or Parallel Interface Hardware Pins and Signals	3-6
3.2.1	CX86500 Modem 38-Pin TSSOP with Serial Interface Signal Summary	3-6
3.2.1.1	LSD Interface (Through DIB)	3-6
3.2.1.2	Call Progress Speaker Interface	3-6
3.2.1.3	Serial EEPROM Interface	3-6
3.2.1.4	Serial DTE Interface and Indicator Outputs	3-6
3.2.2	CX86500 Modem 38-Pin TSSOP with Serial Interface Pin Assignments and Signal Definitions	3-7
3.2.3	CX86500 Modem 38-Pin TSSOP with Parallel Interface Signal Summary	3-11
3.2.3.1	LSD Interface (Through DIB)	3-11
3.2.3.2	Call Progress Speaker Interface	3-11
3.2.3.3	Serial EEPROM Interface	3-11
3.2.3.4	Parallel Host Bus Interface	3-11
3.2.4	CX86500 Modem 38-Pin TSSOP with Parallel Interface Pin Assignments and Signal Definitions	3-12

3.3	CX86500 Electrical Characteristics	3-16
3.4	CX20493 LSD 28-Pin QFN Hardware Pins and Signals	3-17
3.4.1	CX20493 LSD 28-Pin QFN Signal Summary	3-17
3.4.1.1	CX86500 Interface (Through DIB).....	3-17
3.4.1.2	Telephone Line Interface	3-17
3.4.1.3	Voltage References.....	3-17
3.4.1.4	General Purpose Input/Output.....	3-18
3.4.1.5	No Connects.....	3-18
3.4.2	CX20493 LSD Pin Assignments and Signal Definitions	3-18
3.5	CX20493 LSD 32-Pin LQFP Hardware Pins and Signals	3-22
3.5.1	CX20493 LSD 32-Pin LQFP Signal Summary	3-22
3.5.1.1	CX86500 Interface (Through DIB).....	3-22
3.5.1.2	Telephone Line Interface	3-22
3.5.1.3	Voltage References.....	3-22
3.5.1.4	General Purpose Input/Output.....	3-23
3.5.1.5	No Connects.....	3-23
3.5.2	CX20493 LSD 32-Pin LQFP Pin Assignments and Signal Definitions	3-23
3.6	CX20493 LSD GPIO DC Electrical Characteristics	3-27
3.7	Electrical and Environmental Specifications	3-28
3.7.1	Operating Conditions, Absolute Maximum Ratings, and Power Requirements	3-28
3.7.2	Interface and Timing Waveforms	3-30
3.7.2.1	Serial DTE Interface.....	3-30
3.7.2.2	Parallel Host Bus Interface	3-31
3.7.2.3	Voice Pass-Through Interface – 14-Bit PCM.....	3-33
3.8	Crystal and Clock Specifications.....	3-33
4.	Parallel Host Interface	4-1
4.1	Overview	4-1
4.2	Register Signal Definitions	4-3
4.2.1	IER - Interrupt Enable Register (Addr = 1, DLAB = 0)	4-3
4.2.2	FCR - FIFO Control Register (Addr = 2, Write Only)	4-4
4.2.3	IIR - Interrupt Identifier Register (Addr = 2)	4-5
4.2.4	LCR - Line Control Register (Addr = 3)	4-6
4.2.5	MCR - Modem Control Register (Addr = 4).....	4-7
4.2.6	LSR - Line Status Register (Addr = 5).....	4-7
4.2.7	MSR - Modem Status Register (Addr = 6)	4-9
4.2.8	RBR - RX Buffer (Receiver Buffer Register) (Addr = 0, DLAB = 0)	4-9
4.2.9	THR - TX Buffer (Transmitter Holding Register) (Addr = 0, DLAB = 0).....	4-9
4.2.10	Divisor Registers (Addr = 0 and 1, DLAB = 1).....	4-10
4.3	Receiver FIFO Interrupt Operation	4-10
4.3.1	Receiver Data Available Interrupt	4-10
4.3.2	Receiver Character Timeout Interrupts.....	4-11
4.4	Transmitter FIFO Interrupt Operation	4-11
4.4.1	Transmitter Empty Interrupt.....	4-11
5.	Package Dimensions	5-1
6.	Recommended TSSOP Surface Mount Land Pattern	6-1

Figures

Figure 1-1. SCXV.xx Modem Simplified Interface Diagram	1-2
Figure 3-1. CX86500 Modem 28-Pin TSSOP with Serial Interface Hardware Signals	3-2
Figure 3-2. CX86500 Modem 28-Pin TSSOP with Serial Interface Pin Signals	3-3
Figure 3-3. CX86500 Modem 38-Pin TSSOP with Serial Interface Hardware Signals	3-7
Figure 3-4. CX86500 Modem 38-Pin TSSOP with Serial Interface Pin Signals	3-8
Figure 3-5. CX86500 Modem 38-Pin TSSOP with Parallel Interface Hardware Signals	3-12
Figure 3-6. CX86500 Modem 38-Pin TSSOP with Parallel Interface Pin Signals	3-13
Figure 3-7. CX20493 LSD 28-Pin QFN Hardware Interface Signals	3-18
Figure 3-8. CX20493 LSD 28-Pin QFN Pin Signals	3-19
Figure 3-9. CX20493 LSD 32-Pin LQFP Hardware Interface Signals	3-23
Figure 3-10. CX20493 LSD 32-Pin LQFP Pin Signals	3-24
Figure 3-11. Waveforms - Serial DTE Interface	3-30
Figure 3-12. Waveforms - Parallel Host Bus	3-32
Figure 3-13. Waveforms - 14-Bit PCM Receive and Transmit Timing	3-33
Figure 5-1. Package Dimensions - 28-Pin TSSOP	5-1
Figure 5-2. Package Dimensions - 38-Pin TSSOP	5-2
Figure 5-3. Package Dimensions - 28-Pin QFN	5-3
Figure 5-4. Package Dimensions - 32-Pin LQFP	5-4
Figure 6-1. Recommended TSSOP Surface Mount Land Pattern	6-1

Tables

Table 1-1. SCXV.xx Modem Models and Functions	1-2
Table 1-2. Default Countries Supported.....	1-6
Table 2-1. +MS Command Automode Connectivity.....	2-3
Table 3-1. CX86500 Modem 28-Pin TSSOP with Serial Interface Pin Signals	3-3
Table 3-2. CX86500 Modem 28-Pin TSSOP with Serial Interface Hardware Signal Definitions	3-4
Table 3-3. CX86500 Modem 38-Pin TSSOP with Serial Interface Pin Signals	3-8
Table 3-4. CX86500 Modem 38-Pin TSSOP with Serial Interface Hardware Signal Definitions	3-9
Table 3-5. CX86500 Modem 38-Pin TSSOP with Parallel Interface Pin Signals.....	3-13
Table 3-6. CX86500 Modem 38-Pin TSSOP with Parallel Interface Hardware Signal Definitions	3-14
Table 3-7. CX86500 Modem I/O Type Definitions	3-16
Table 3-8. CX86500 Modem DC Electrical Characteristics	3-16
Table 3-9. CX20493 LSD 28-Pin QFN Pin Signals	3-19
Table 3-10. CX20493 LSD 28-Pin QFN Hardware Signal Definitions.....	3-20
Table 3-11. CX20493 LSD 32-Pin LQFP Pin Signals	3-24
Table 3-12. CX20493 LSD 32-Pin LQFP Pin Signal Definitions	3-25
Table 3-13. CX20493 LSD GPIO DC Electrical Characteristics	3-27
Table 3-14. CX20493 AVdd DC Electrical Characteristics	3-27
Table 3-15. Operating Conditions	3-28
Table 3-16. Absolute Maximum Ratings.....	3-28
Table 3-17. Current and Power Requirements.....	3-29
Table 3-18. Timing - Parallel Host Bus	3-31
Table 3-19. Crystal Specifications.....	3-33
Table 3-20. Clock Specifications.....	3-33
Table 4-1. Parallel Interface Registers	4-2
Table 4-2. Interrupt Sources and Reset Control	4-5
Table 4-3. Programmable Baud Rates	4-10

This page is intentionally blank.

1. Introduction

1.1 Overview

The Conexant® SCXV.92, SCXV.34, and SCXV.32bis modems are worldwide operational modem device sets for embedded applications that support modulations up to V.92, V.34, and V.32bis, respectively (refer to Table 1-1). All modems also support V.44/V.42bis/MNP 5 data compression for greater data throughput, V.42 LAPM/MNP2-4 error correction protocol for increased data integrity and reliability.

The SCXV.92/V.34/V.32bis device set consists of a modem device and a SmartDAA® 3 Line Side Device (LSD). The modem device integrates a microcontroller (MCU), a digital signal processor (DSP), and a SmartDAA system side device (SSD) onto a single die. The modem is available in 28-pin or 38-pin TSSOP versions. The 28-pin version is for serial interface applications and is footprint-compatible with the CX84100 (SCXV.22bis) and CX81801-9x (SmartV.XX) modem devices. The 38-pin version is for serial or parallel interface applications (interface type selectable by an I/O pin). Major hardware interfaces are illustrated in Figure 1-1.

Conexant's SmartDAA technology used in the SmartDAA 3 LSD eliminates the need for bulky analog transformers, relays, and opto-isolators typically used in discrete DAA implementations. The SmartDAA 3 LSD operates without drawing power from the phone line, unlike line-powered DAAs, and is therefore not subject to variations in line voltage conditions. The SmartDAA 3 LSD also adds enhanced telephony extension features to the modem's operation and other functions such as Call Waiting detection, and Caller ID decoding. Incorporating Conexant's proprietary Digital Isolation Barrier (DIB) design and other innovative DAA features, the SmartDAA architecture simplifies application design and minimizes layout area to reduce design cost. The SmartDAA 3 LSD is available in a 28-pin Quad Flat No-lead (QFN) package or in a 32-pin Low Profile Quad Pack (LQFP) package.

The modem operates by executing masked code from internal ROM. The modem features internal RAM memory that enhances the modem's flexibility. The modem's internal RAM can be used to load new country profiles, override existing country profiles or add customized firmware code. An optional external serial NVRAM is supported by the 38-pin version. The optional external NVRAM adds the convenience of permanent storage, just like internal RAM, NVRAM can be used to store new country profiles, override existing ones or add customized firmware code.

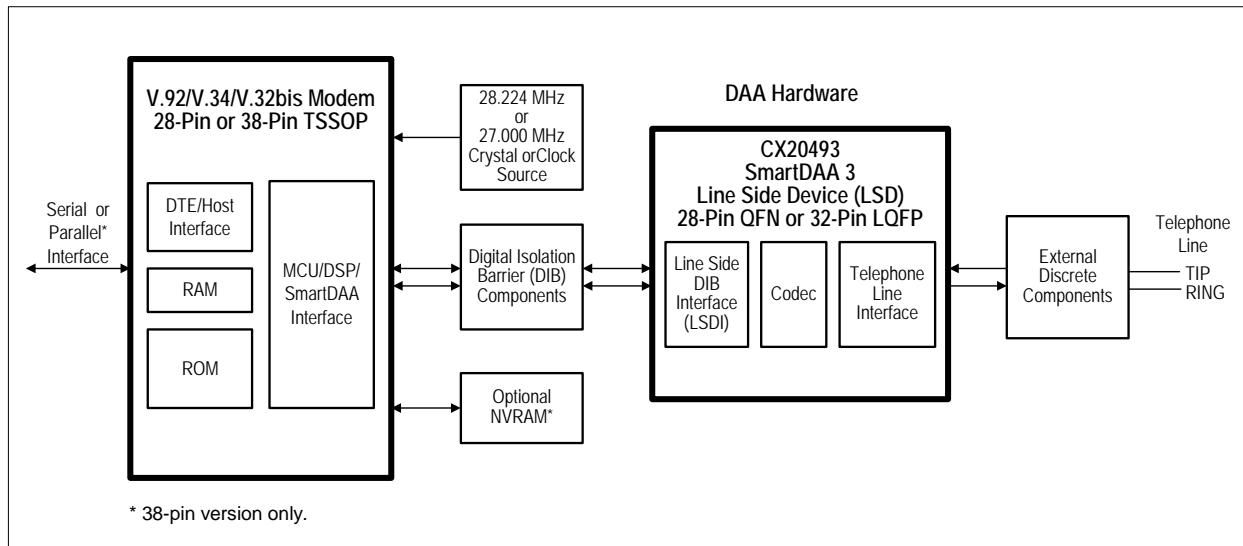
Small, low-profile packages, reduced voltage operation, and low power consumption make this device set an ideal solution for embedded applications.

Table 1-1. SCXV.xx Modem Models and Functions

Model/Order/Part Numbers*				Supported Functions		
Marketing Name	Device Set Order No.	SCXV.xx Modem [28-Pin TSSOP] Part No.	Line Side Device (LSD) [28-Pin QFN] Part No.	V.92 Data, QC, MOH, PCM	V.34 Data	V.32bis Data
Device Sets with CX86500 in 28-Pin TSSOP						
SCXV.92	DSCX-V92LF-025	CX86500-25	CX20493-31	Y	Y	Y
SCXV.34	DSCX-V34LF-026	CX86500-26	CX20493-31	-	Y	Y
SCXV.32bis	DSCX-V32LF-027	CX86500-27	CX20493-31	-	-	Y
Marketing Name	Device Set Order No.	SCXV.xx Modem [38-Pin TSSOP] Part No.	Line Side Device (LSD) [28-Pin QFN] Part No.	V.92 Data, QC, MOH, PCM	V.34 Data	V.32bis Data
Device Sets with CX86500 in 38-Pin TSSOP						
SCXV.92	DSCX-V92LF-065	CX86500-65	CX20493-31	Y	Y	Y
SCXV.34	DSCX-V34LF-066	CX86500-66	CX20493-31	-	Y	Y
SCXV.32bis	DSCX-V32LF-067	CX86500-67	CX20493-31	-	-	Y

Notes:
 All devices are lead (Pb) free.
 Supported functions (Y=Supported; - = Not supported)
 QC, MOH, PCM Quick connect, Modem-on-Hold, PCM upstream
 * Contact your local Conexant sales representative for ordering information about device sets with the 32-pin LQFP CX20493 Line Side Device

Figure 1-1. SCXV.xx Modem Simplified Interface Diagram



1.2 Features

- Modulations and protocols
 - ITU-T V.92
 - ◆ Modem-on-Hold (MOH)
 - ◆ Quick connect (QC)
 - ◆ PCM upstream
 - V.90/V.34/V.32bis/V.32
 - V.22bis/V.22/V.23/V.21
 - V.23 reverse, V.23 half-duplex
 - Bell 212A/Bell 103
 - V.29 FastPOS
 - V22bis fast connect
 - V.80 Synchronous Access Mode
- Data compression
 - V.44/V.42bis/MNP5
- Error correction
 - V.42/MNP 4/MNP 2
- Call Waiting (CW) detection
- Type I and Type II Caller ID (CID) decoding
- DTE/host interface
 - Serial DTE interface
 - Parallel 16550 UART-compatible host interface (38-pin version)
 - Direct Mode
 - Synchronous Mode
 - Asynchronous Mode
- No external memory required
- Sixty-three embedded and upgradeable country profiles
- Serial NVRAM interface for optional permanent country profile storage (38-pin version)
- Embedded AT commands
- Full-duplex Voice Pass-Through Mode
 - Mu-Law, A-Law (serial and parallel host interface)
 - 14-bit PCM (parallel host interface only)
- SmartDAA
 - Extension pick-up detection
 - Digital line protection
 - Line reversal detection
 - Line-in-use detection
 - Remote hang-up detection
 - Worldwide compliance

- Selectable 28.224 MHz or 27.000 MHz frequency of operation
- Low power and voltage
 - Single +3.3V supply
 - Low power consumption mode
 - +3.3V I/O level
- Compact, robust board design
 - Small, low-profile modem packages
 - SmartDAA and DIB technologies
 - Reference design supports 5KV isolation

1.2.1 Applications

- Set top boxes
- Point-of-Sale terminals
- ATM machines
- Metering terminals
- Video game consoles
- Internet appliances

1.3 Technical Overview

1.3.1 General Description

Modem operation, including dialing, call progress, telephone line interface, telephone handset interface, and host DTE interface functions are supported and controlled through the V.250 and V.251-compatible command set.

The OEM adds a crystal circuit, DIB components, telephone line interface, telephone handset/telephony extension interface, and other supporting discrete components as supported by the modem model (Table 1-1) and required by the application to complete the system.

1.3.2 Embedded MCU Firmware

Embedded MCU firmware performs processing of general modem control, command sets, data modem, error correction and data compression (ECC), worldwide, V.80, and serial DTE host interface functions according to modem models (Table 1-1).

1.3.3 Operating Modes

1.3.3.1 Data Modes

In V.92 data modem mode (V.92 models), the modem can receive data from a digital source using a V.92-compatible central site modem at line speeds up to 56 kbps. With PCM upstream enabled, data transmission supports sending data at line speeds up to 48 kbps. When PCM upstream is disabled, data transmission supports sending data at line speeds up to V.34 rates. This mode can fallback to V.34 mode and to lower rates as dictated by line conditions.

The following modes are also supported in V.92 models, when connected to a V.92-compatible server supporting the feature listed.

- Quick connect, which allows quicker subsequent connection to a server using stored line parameters obtained during the initial connection. The server must support quick connect profiles.
- Modem-on-Hold, which allows detection and reporting of incoming phone calls on the PSTN with enabled Call Waiting. If the incoming call is accepted by the user, the user has a pre-defined amount of time of holding the data connection for a brief conversation. The data connection resumes upon incoming call termination. The server must support Modem-on-Hold functionality.
- PCM upstream, which boosts the upstream data rates between the user and V.92 server. A maximum of 48 kbps upstream rate is supported when connected to a V.92 server that supports PCM upstream.

In V.34 data modem mode (V.92 and V.34 models), the modem can operate in 2-wire, full-duplex, asynchronous modes at line rates up to 33.6 kbps. Data modem modes perform complete handshake and data rate negotiations. Using V.34 modulation to optimize modem configuration for line conditions, the modem can connect at the highest data rate that the channel can support from 33600 bps down to 2400 bps with automatic fallback. Automode operation in V.34 is provided in accordance with PN3320 and in V.32 bis in accordance with PN2330. All tone and pattern detection functions required by the applicable ITU or Bell standards are supported.

In V.32 bis data modem mode, the modem can operate at line speeds up to 14.4 kbps.

1.3.3.2

V.44 Data Compression

V.44 provides more efficient data compression than V.42 bis that significantly decreases the download time for the types of files associated with Internet use. This significant improvement is most noticeable when browsing and searching the web since HTML text files are highly compressible. (The improved performance amount varies both with the actual format and with the content of individual pages and files.)

1.3.3.3

Synchronous Access Mode (SAM) - Video Conferencing

V.80 Synchronous Access Mode between the modem and the host/DTE is provided for host-controlled communication protocols, e.g., H.324 video conferencing applications.

1.3.3.4

Voice Pass-Through Mode

Voice Pass-Through Mode supports data transfer sampled at 8 KHz. Mu-Law and A-Law are supported both in serial and parallel modes. 14-bit PCM is supported in parallel mode only.

1.3.3.5 Worldwide Operation

The modem operates in TBR21-compliant and other countries. Country-dependent modem parameters for functions such as dialing, carrier transmit level, calling tone, call progress tone detection, answer tone detection, blacklisting, caller ID, and relay control are programmable.

SmartDAA technology allows a single PCB design and single BOM to be homologated worldwide. Advanced features such as extension pick-up detection, remote hang-up detection, line-in-use detection, and digital PBX line protection are supported.

Country code IDs are defined by ITU-T T.35.

Internal ROM includes default profiles for 63 countries including TBR21-compliant profiles. An additional or modified country profile can be loaded into internal SRAM. A duplicate country profile stored in internal SRAM will override the profile in internal ROM firmware. Additional country profiles can be loaded into external NVRAM for permanent storage (38-pin version only). The default countries supported are listed in Table 1-2. Request additional country profiles from a Conexant Sales Office.

Table 1-2. Default Countries Supported

Country	Country Code	Call Waiting Tone Detection (CW) Supported	On-Hook Type 1 Caller ID (CID) Supported	Off-Hook Type 2 Caller ID (CID2) Supported
Argentina	7			
Australia	9	X	X	
Austria	0A	X	X	
Belgium	0F	X		
Brazil	16	X		
Bulgaria	1B			
Canada	20	X	X	X
Chile	25	X		
China	26	X	X	
Colombia	27			
Croatia	FA			
Cyprus	2D			
Czech Republic	2E			
Denmark	31	X	X	
Egypt	36			
Estonia	F9			
Finland	3C	X	X	
France	3D	X	X	X
Germany	42	X	X	
Greece	46	X		
Hong Kong	50	X	X	X
Hungary	51			
Iceland	52			
India	53		X	
Indonesia	54			
Ireland	57	X	X	X
Israel	58	X		
Italy	59	X	X	
Japan	00	X	X	X
Korea	61	X	X	

Table 1-2. Default Countries Supported (Continued)

Country	Country Code	Call Waiting Tone Detection (CW) Supported	On-Hook Type 1 Caller ID (CID) Supported	Off-Hook Type 2 Caller ID (CID2) Supported
Kuwait	62			
Lebanon	64			
Luxembourg	69			
Malaysia	6C	X		
Mexico	73			
Morocco	77			
Netherlands	7B		X	
New Zealand	7E	X	X	
Norway	82	X	X	
Pakistan	84			
Philippines	89			
Poland	8A	X		
Portugal	8B	X		
Romania	8E			
Russia	B8			
Saudi Arabia	98			
Senegal	99			
Singapore	9C	X	X	X
Slovakia	FB			
Slovenia	FC			
South Africa	9F	X		
Spain	A0	X	X	
Sri Lanka	A1			
Sweden	A5	X	X	
Switzerland	A6	X		
Taiwan	FE	X	X	
Thailand	A9			
Tunisia	AD			
Turkey	AE			
UK	B4	X	X	X
United Arab Emirates	B3			
Uruguay	B7			
USA	B5	X	X	X
Reserved	FD			

1.3.4 Reference Designs

A reference design is available to minimize modem design time, reduce development cost, and accelerate market entry.

A design package is available in electronic form. This package includes schematics, bill of materials (BOM), vendor part list (VPL), board layout files in Gerber and PADS formats, and complete documentation.

1.4 Hardware Description

1.4.1 CX86500 Modem

The CX86500 modem, packaged in a 28-pin TSSOP and 38-pin TSSOP, includes a Microcontroller (MCU), a Modem Data Pump (MDP), internal ROM, internal RAM, and SmartDAA interface functions.

The modem connects to host via a logical V.24 (EIA/TIA-232-E) serial DTE interface or a parallel 16550 UART-compatible host interface (38-pin only).

The modem MCU/DSP performs the command processing, host interface functions and telephone line signal modulation/demodulation which reduces computational load on the host processor.

The SmartDAA Interface communicates with, and supplies power and clock to the LSD through the DIB.

1.4.2 Digital Isolation Barrier

The OEM-supplied Digital Isolation Barrier (DIB) electrically DC isolates the CX86500 from the LSD and telephone line. The modem is connected to a fixed digital ground and operates with standard CMOS logic levels. The LSD is connected to a floating ground and can tolerate high voltage input (compatible with telephone line and typical surge requirements).

The DIB transformer couples power and clock from the CX86500 to the LSD.

The DIB data channel supports bidirectional half-duplex serial transfer of data, control, and status information between the CX86500 and the LSD over two lines.

1.4.3 CX20493 SmartDAA Line Side Device

The CX20493 SmartDAA Line Side Device (LSD) includes a Line Side DIB Interface (LSDI), a coder/decoder (codec), and a Telephone Line Interface (TLI).

The LSDI communicates with, and receives power and clock from, the SmartDAA interface in the CX86500 through the DIB.

LSD power is received from the MDP PWRCLKP and PWRCLKN pins via the DIB through a full-wave rectifier bridge and capacitive power filter circuit connected to the DIB transformer secondary winding.

The CLK input is also accepted from the DIB transformer secondary winding through a capacitor and a resistor in series.

Information is transferred between the LSD and the CX86500 through the DIB_P and DIB_N pins. These pins connect to the CX86500 DIB_DATAP and DIB_DATAN pins, respectively, through the DIB.

The TLI integrates DAA and direct telephone line interface functions and connects directly to the line TIP and RING pins, as well as to external line protection components.

Direct LSD connection to TIP and RING allows real-time measurement of telephone line parameters, such as the telephone central office (CO) battery voltage, individual telephone line (copper wire) resistance, and allows dynamic regulation of the off-hook TIP and RING voltage and total current drawn from the central office (CO). This allows

the modem to maintain compliance with U.S. and worldwide regulations and to actively control the DAA power dissipation.

1.5 **Commands**

The modem supports data modem and V.80 commands, and S Registers in accordance with modem model options. See Doc. No. 102184 for a description of the commands.

Data Modem Operation. Data modem functions operate in response to the AT commands when +FCLASS=0. Default parameters support U.S./Canada operation.

This page is intentionally blank.

2. Technical Specifications

2.1 Serial DTE Interface Operation

2.1.1 Automatic Speed/Format Sensing

Command Mode and Data Mode. The modem can automatically determine the speed and format of the data sent from the DTE. The modem can sense speeds of 300, 600, 1200, 2400, 4800, 7200, 9600, 12000, 14400, 16800, 19200, 21600, 24000, 26400, 28800, 38400, 57600, and 115200 bps and the following data formats:

Parity	Data Length (No. of Bits)	No. of Stop Bits	Character Length (No. of Bits)
None	7	2	10
Odd	7	1	10
Even	7	1	10
None	8	1	10
Odd	8	1	11*
Even	8	1	11*

*11-bit characters are sensed, but the parity bit is stripped off during data transmission in Normal and Error Correction modes.

The modem can speed sense data with mark or space parity and configures itself as follows:

DTE Configuration	Modem Configuration
7 mark	7 none
7 space	8 none
8 mark	8 none
8 space	8 even

2.2 Parallel Host Bus Interface Operation

Command Mode and Data Mode. The modem can operate at rates up to 230.4 kbps by programming the Divisor Latch in the parallel interface registers. Refer to Chapter 4.

2.3 Establishing Data Modem Connections

2.3.1 Dialing

DTMF Dialing. DTMF dialing using DTMF tone pairs is supported in accordance with ITU-T Q.23.

Pulse Dialing. Pulse dialing is supported in accordance with EIA/TIA-496-A.

Blind Dialing. The modem can blind dial in the absence of a dial tone if enabled by the X0, X1, or X3 command.

2.3.2 Modem Handshaking Protocol

If a tone is not detected within the time specified in the S7 register after the last digit is dialed, the modem aborts the call attempt.

2.3.3 Call Progress Tone Detection

Ringback, equipment busy, congested tone, warble tone, and progress tones can be detected in accordance with the applicable standard.

2.3.4 Answer Tone Detection

Answer tone can be detected over the frequency range of 2100 ± 40 Hz in ITU-T modes and 2225 ± 40 Hz in Bell modes.

2.3.5 Ring Detection

A ring signal can be detected from a TTL-compatible 15.3 Hz to 68 Hz square wave input.

2.3.6 Billing Protection

When the modem goes off-hook to answer an incoming call, both transmission and reception of data are prevented for 2 seconds to allow transmission of the billing tone signal.

2.3.7 Connection Speeds

The modem functions as a data modem when the +FCLASS=0 command is active.

Line connection can be selected using the +MS command. The +MS command selects modulation, enables/disables automode, and selects minimum and maximum line speeds (Table 2-1).

Table 2-1. +MS Command Automode Connectivity

Modulation	<carrier>	Possible (<min_rx_rate>, <min_rx_rate>, (<min_tx_rate>), and <max_tx_rate>) Rates (bps)
Bell 103	B103	300
Bell 212	B212	1200 Rx/75 Tx or 75 Rx/1200 Tx
V.21	V21	300
V.22	V22	1200
V.22 bis	V22B	2400 or 1200
V.23	V23C	1200
V.32	V32	9600 or 4800
V.32 bis	V32B	14400, 12000, 9600, 7200, or 4800
V.34	V34	33600, 31200, 28800, 26400, 24000, 21600, 19200, 16800, 14400, 12000, 9600, 7200, 4800, or 2400
V.90	V90	56000, 54667, 53333, 52000, 50667, 49333, 48000, 46667, 45333, 44000, 42667, 41333, 40000, 38667, 37333, 36000, 34667, 33333, 32000, 30667, 29333, 28000
V.92 downstream	V92	56000, 54667, 53333, 52000, 50667, 49333, 48000, 46667, 45333, 44000, 42667, 41333, 40000, 38667, 37333, 36000, 34667, 33333, 32000, 30667, 29333, 28000
V.92 upstream	V92	48000, 46667, 45333, 44000, 42667, 41333, 40000, 38667, 37333, 36000, 34667, 33333, 32000, 30667, 29333, 28000, 26667, 25333, 24000

2.3.8 Automode

Automode detection can be enabled by the +MS command to allow the modem to connect to a remote modem in accordance with draft PN-3320 for V.34 (Table 2-1).

2.4 Data Mode

Data mode exists when a telephone line connection has been established between modems and all handshaking has been completed.

2.4.1 Speed Buffering (Normal Mode)

Speed buffering allows a DTE to send data to, and receive data from, a modem at a speed different than the line speed. The modem supports speed buffering at all line speeds.

2.4.2 Flow Control

DTE-to-Modem Flow Control. If the modem-to-line speed is less than the DTE-to-modem speed, the modem supports XOFF/XON or RTS/CTS flow control with the DTE to ensure data integrity.

2.4.3 Escape Sequence Detection

The +++ escape sequence can be used to return control to the command mode from the data mode. Escape sequence detection is disabled by an S2 Register value greater than 127.

2.4.4 BREAK Detection

The modem can detect a BREAK signal from either the DTE or the remote modem. The \Kn command determines the modem response to a received BREAK signal.

2.4.5 Telephone Line Monitoring

GSTN Cleardown (V.92, V.90, V.34, V.32 bis, V.32). Upon receiving GSTN Cleardown from the remote modem in a non-error correcting mode, the modem cleanly terminates the call.

Loss of Carrier (V.22 bis and Below). If carrier is lost for a time greater than specified by the S10 register, the modem disconnects.

2.4.6 Fall Forward/Fallback (V.92/V.90/V.34/V.32 bis/V.32)

During initial handshake, the modem will fallback to the optimal line connection within V.92/V.90/V.34/V.32 bis/V.32 mode depending upon signal quality if automode is enabled by the +MS or N1 command.

When connected in V.92/V.90/V.34/V.32 bis/V.32 mode, the modem will fall forward or fallback to the optimal line speed within the current modulation depending upon signal quality if fall forward/fallback is enabled by the %E2 command.

2.4.7 Retrain

The modem may lose synchronization with the received line signal under poor or changing line conditions. If this occurs, retraining may be initiated to attempt recovery depending on the type of connection.

The modem initiates a retrain if line quality becomes unacceptable if enabled by the %E command. The modem continues to retrain until an acceptable connection is achieved, or until 30 seconds elapse resulting in line disconnect.

2.4.8 Programmable Inactivity Timer

The modem disconnects from the line if data is not sent or received for a specified length of time. In normal or error-correction mode, this inactivity timer is reset when data is received from either the DTE or from the line. This timer can be set to a value between 0 and 255 seconds by using register S30. A value of 0 disables the inactivity timer.

2.4.9 DTE Signal Monitoring (Serial DTE Interface Only)

DTR#. When DTR# is asserted, the modem responds in accordance with the &Dn and &Qn commands.

RTS#. RTS# is used for flow control if enabled by the &K command in normal or error-correction mode.

2.4.10 Call Progress Speaker Interface

A digital speaker output (DSPKOUT) is supported. DSPKOUT is a square wave output in Data mode used for call progress or carrier monitoring. This output can be optionally connected to a low-cost on-board speaker, e.g., a sounducer, or to an analog speaker circuit.

2.4.11 Serial EEPROM Interface

The 38-pin TSSOP supports a 2-line serial interface to an optional serial EEPROM.

The EEPROM can hold information such as firmware customization, and country code parameters. Data stored in EEPROM takes precedence over the factory default settings.

A serial EEPROM is required only if additional storage is required for more country profiles or customized firmware code.

The EEPROM size can range from 2 Kb (256 x 8) to 256 Kb (32K x 8). A 2 Kb EEPROM must be 100 kHz or 400 kHz; higher capacity EEPROMs must be 400 kHz.

2.5 V.92 Features

Modem-on-Hold, quick connect, and PCM upstream are only available when connecting in V.92 data mode. V.92 features are only available when the server called is a V.92 server that supports that particular feature.

2.5.1 Modem-on-Hold

The Modem-on-Hold (MOH) function (V.92 models only) enables the modem to place an Internet data connection on hold while using the same line to accept an incoming or place an outgoing voice call. This feature is available only with a connection to a server supporting MOH. MOH can be executed through either of two methods:

- One method is to enable MOH through the +PMH command. With Call Waiting Detection (+PCW command) enabled, an incoming call can be detected while on-line. Using a string of commands, the modem negotiates with the server to place the data connection on hold while the line is released so that it can be used to conduct a voice call. Once the voice call is completed, the modem can quickly renegotiate with the server back to the original data call.
- An alternative method is to use communications software that makes use of the Conexant Modem-on-Hold drivers. Using this method, the software can detect an incoming call, place the data connection on hold, and switch back to a data connection.

2.5.2 Quick Connect

The quick connect function (V.92 models only) enables the modem to shorten the connect time of subsequent calls to a server supporting quick connect. The quick connect feature is supported by the +PQC command.

2.5.3 PCM Upstream

PCM upstream boosts the upstream data rates between the user and ISP to reduce upload times for large files and email attachments. A maximum of 48 kbps upstream rate is

supported with PCM upstream enabled, in contrast to a maximum of 32.2 kbps upstream rate with PCM upstream not enabled. PCM upstream is supported by the +PCM command. PCM upstream is disabled by default.

2.6 Error Correction and Data Compression

2.6.1 V.42 Error Correction

V.42 supports two methods of error correction: LAPM and, as a fallback, MNP 4. The modem provides a detection and negotiation technique for determining and establishing the best method of error correction between two modems.

2.6.2 MNP 2-4 Error Correction

MNP 2-4 is a data link protocol that uses error correction algorithms to ensure data integrity. Supporting stream mode, the modem sends data frames in varying lengths depending on the amount of time between characters coming from the DTE.

2.6.3 V.44 Data Compression

V.44 data compression encodes pages and files associated with Web pages more efficiently than V.42 bis. These files include WEB pages, graphics and image files, and document files. V.44 can provide an effective data throughput rate up to DTE rate for a 56-kbps connection. The improved performance amount varies both with the actual format and with the content of individual pages and files.

2.6.4 V.42 bis Data Compression

V.42 bis data compression mode, enabled by the %Cn command or S46 register, operates when a LAPM connection is established.

The V.42 bis data compression employs a “string learning” algorithm in which a string of characters from the DTE is encoded as a fixed length codeword and stored in a dictionary. The dictionary is dynamically updated during normal operation.

2.6.5 MNP 5 Data Compression

MNP 5 data compression mode, enabled by the %Cn command, operates during an MNP connection.

In MNP 5, the modem increases its throughput by compressing data into tokens before transmitting it to the remote modem, and by decompressing encoded received data before sending it to the DTE.

2.7 Voice Pass-Through Mode

Voice Pass-Through Mode supports data transfer sampled at 8 KHz. Mu-Law and A-Law are supported both in serial and parallel modes. 14-bit PCM is supported in parallel mode only.

For 14-bit PCM, data is transmitted in 8-bit words. Bit 0 of each 8-bit word is used to identify the most significant byte and the least significant byte (see Section 3.7.2.3). When transmitting data, bit 0 must be set to 0 to identify the most significant byte B(15:8) or it must be set to 1 to identify the least significant byte B(7:0). During transmission, the most significant byte must precede the least significant byte.

The 14-bit PCM data receive format is the same as the transmit format. During reception, the most significant byte precedes the least significant byte. Bit 0 is set to 0 to identify the most significant byte or it is set to 1 to identify the least significant byte.

2.8 Telephony Extensions

The following telephony extension features are supported and are typically implemented in designs for set-top box applications to enhance end-user experience:

- Line-in-use detection
- Extension pick-up detection
- Remote hang-up detection

The telephony extension features are enabled through the -STE command. The -TTE command can be used to adjust the voltage thresholds for the telephony extension features.

2.8.1 Line-in-Use Detection

The line-in-use detection feature can stop the modem from disturbing the phone line when the line is already being used. When an attempt is made to dial using ATDT and the phone line is in use, the modem will not go off hook and will respond with the message "LINE IN USE".

2.8.2 Extension Pick-up Detection

The extension pick-up detection feature (also commonly referred as PPD or Parallel phone detection) allows the modem to detect when another telephony device (i.e., fax machine, phone, satellite/cable box) is attempting to use the phone line. When an extension pick-up has been detected, the modem will go on-hook and respond with the message "OFF-HOOK INTRUSION".

This feature can be used to quickly drop a modem connection in the event when a user picks up an extension phone line. For example, this feature allows set top boxes with an integrated SCXV.xx modem to give normal voice users the highest priority over the telephone line.

2.8.3 Remote Hang-up Detection

The remote hang-up detection feature will cause the modem to go back on-hook and respond with the message "LINE REVERSAL DETECTED" during a data connection when the remote modem is disconnected for abnormal termination reasons (remote phone line unplugged, remote server/modem shutdown).

2.9 Point-of-Sales Support

Point-of-Sales (POS) terminals usually need to exchange a small amount of data in the shortest amount of time. Low speed modulations such as Bell212A or V.22 are still mainly used in POS applications. Additionally, new non-standard sequences have been developed to better support POS applications.

Industry standard and shortened answer tone B103 and V.21 are supported, as well as FastPOS (V.29) and V.22 FastConnect. POS terminal modulations are supported by the \$F command.

2.10 Tone Detectors

The modem is equipped with three tone detectors with separate signal paths from the main received signal path thus enabling tone detection to be independent of the configuration status.

2.11 Call Waiting Tone Detection

Call Waiting tones can be detected when in V.92, V.90, V.34, and V.32bis data modes.

2.12 Caller ID

Both Type I Caller ID (On-Hook Caller ID) and Type II Caller ID (Call Waiting Caller ID) are supported for U.S. and many other countries (see Section 2.13). Both types of Caller ID are enabled/disabled using the +VCID command. Call Waiting Tone detection must be enabled using the +PCW command to detect and decode Call Waiting Caller ID. When enabled, caller ID information (date, time, caller code, and name) can be passed to the DTE in formatted or unformatted form. Inquiry support allows the current caller ID mode and mode capabilities of the modem to be retrieved from the modem.

Type II Caller ID (Call Waiting Caller ID) detection operates only during data mode in V.92, V.90, V.34, V.32bis, or V.32.

2.13 Worldwide Country Support

Internal modem firmware supports 63 country profiles (see Table 1-2). These country profiles include the following country-dependent parameters:

- Dial tone detection levels and frequency ranges.
- DTMF dialing parameters: Transmit output level, DTMF signal duration, and DTMF interdigit interval.
- Pulse dialing parameters: Make/break times, set/clear times, and dial codes are programmable.
- Ring detection frequency range.
- Type I and Type II Caller ID detection are supported for many countries. Contact your local Conexant sales office for additional country support.
- Blind dialing enabled/disable.
- Carrier transmit level. The maximum, minimum, and default values can be defined to match specific country and DAA requirements.
- Calling tone is generated in accordance with V.25. Calling tone may be toggled (enabled/disabled) by inclusion of a “^” character in a dial string. It may also be disabled.
- Frequency and cadence of tones for busy, ringback, congested, warble, dial tone 1, and dial tone 2.
- Answer tone detection period.
- Blacklist parameters. The modem can operate in accordance with requirements of individual countries to prevent misuse of the network by limiting repeated calls to the same number when previous call attempts have failed. Call failure can be detected for reasons such as no dial tone, number busy, no answer, no ringback detected, voice (rather than modem) detected, and key abort (dial attempt aborted by user). Actions resulting from such failures can include specification of minimum inter-call delay, extended delay between calls, and maximum numbers of retries before the number is permanently forbidden ("blacklisted").

The country profiles may be altered or customized by modifying the country-dependent parameters. Additional profiles may also be included. Additional and modified country profiles are supported by internal SRAM.

Please contact an FAE at the local Conexant sales office for additional and modified country profile support.

2.14 Diagnostics

Diagnostics are performed in response to test commands.

Analog Loopback (&T1 Command). Data from the local DTE is sent to the modem, which loops the data back to the local DTE.

DMTF Generation (%TT0 Command). Continuous DTMF tones are generated by the DSP and output through the DAA.

Tone Generation (%TT3 Command). Continuous tones are generated by the DSP and output through the DAA.

2.15 Low Power Modes

The modem enters a low power mode when no line connection exists and no host activity occurs for the period of time specified in the S24 register. The modem supports three low power modes: Idle Mode, Sleep Mode, and Stop Mode. The low power mode entered depends on the setting of the -SLP command.

In Idle Mode, the CPU and LSD run at a low frequency. The modem can detect and qualify ring signals and process AT commands. The modem returns to normal mode upon receiving an AT command or receiving a qualified ring.

In Sleep Mode, the CPU and LSD run at a lower frequency than Idle Mode. The modem can detect and qualify ring signals but cannot process AT commands. The modem can be awakened by the host sending a single (any) character (typically followed by an AT command), or by the modem receiving a qualified ring.

In Stop Mode, the CPU runs at the same low frequency as the Sleep Mode, however, the LSD is turned off. The modem cannot process AT commands and cannot detect and qualify ring signals. The modem can be awakened by the host sending a single (any) character (typically followed by an AT command).

3. Hardware Interface

3.1 CX86500 Hardware 28-Pin TSSOP with Serial Interface

3.1.1 CX86500 Modem 28-Pin TSSOP with Serial Interface Signal Summary

3.1.1.1 LSD Interface (Through DIB)

The DIB interface signals are:

- Clock and Power Positive (PWRCLKP); output
- Clock and Power Negative (PWRCLKN); output
- Data Positive (DIB_DATAP); input/output
- Data Negative (DIB_DATAN); input/output

3.1.1.2 Call Progress Speaker Interface

The call progress speaker interface signal is:

- Digital speaker output (DSPKOUT); output

3.1.1.3 Serial DTE Interface and Indicator Outputs

The supported DTE interface signals are:

- Serial Transmit Data input (TXD#)
- Serial Receive Data output line (RXD#)
- Clear to Send output (CTS#)
- Received Line Signal Detector (RLSD#)
- Ring Indicator (RI#)
- Data Terminal Ready control input (DTR#)
- Request to Send control input (RTS#)

Additional clock signals provided for synchronous mode are:

- Receive Data Clock (RXCLK#)
- Transmit Data Clock (TXCLK#)

3.1.2 CX86500 Modem 28-Pin TSSOP with Serial Interface Pin Assignments and Signal Definitions

CX86500 Modem 28-pin TSSOP hardware interface signals are shown by major interface in Figure 3-1, are shown by pin number in Figure 3-2, and are listed by pin number in Table 3-1.

CX86500 Modem hardware interface signals are defined in Table 3-2.

Figure 3-1. CX86500 Modem 28-Pin TSSOP with Serial Interface Hardware Signals

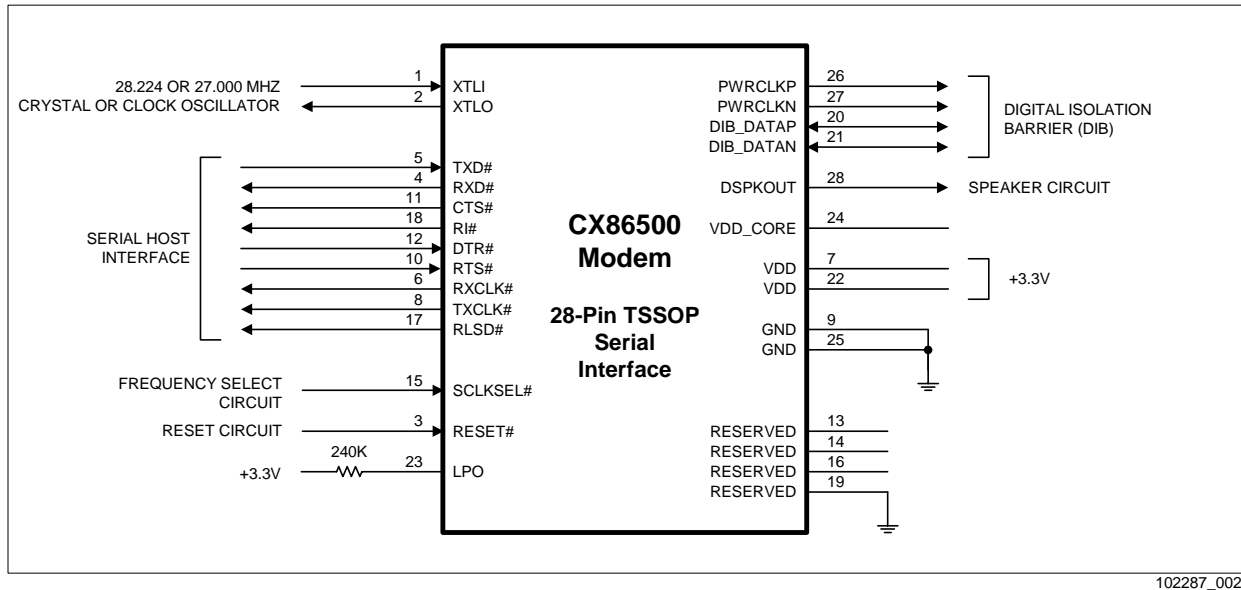
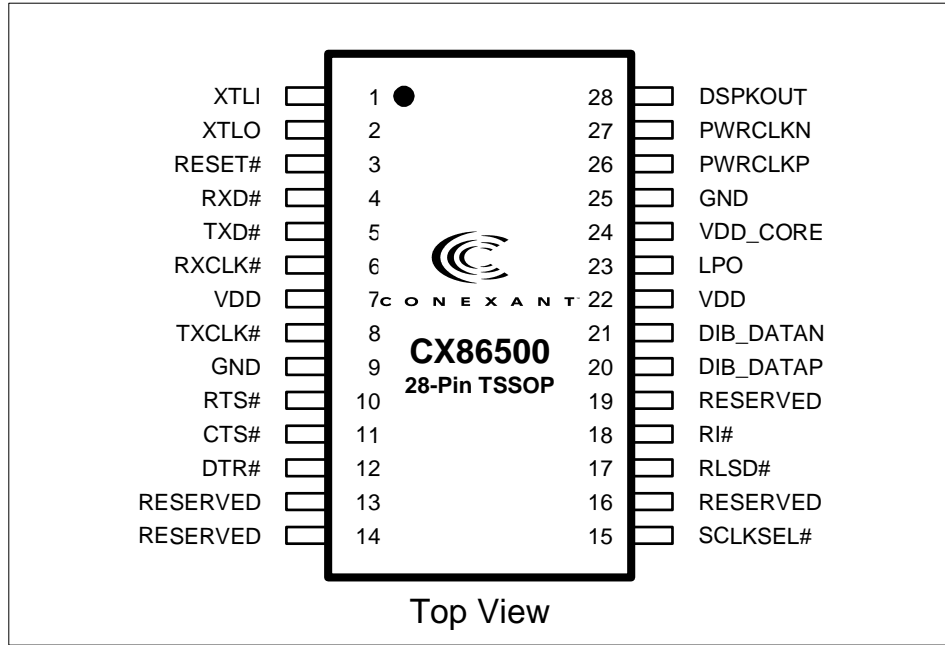


Figure 3-2. CX86500 Modem 28-Pin TSSOP with Serial Interface Pin Signals



102287_003

Table 3-1. CX86500 Modem 28-Pin TSSOP with Serial Interface Pin Signals

Pin No.	Signal Name	Pin No.	Signal Name
1	XTLI	15	SCLKSEL#
2	XTLO	16	RESERVED
3	RESET#	17	RLSD#
4	RXD#	18	RI#
5	TXD#	19	RESERVED
6	RXCLK#	20	DIB_DATAP
7	VDD	21	DIB_DATAN
8	TXCLK#	22	VDD
9	GND	23	LPO
10	RTS#	24	VDD_CORE
11	CTS#	25	GND
12	DTR#	26	PWRCLKP
13	RESERVED	27	PWRCLKN
14	RESERVED	28	DSPKOUT

Table 3-2. CX86500 Modem 28-Pin TSSOP with Serial Interface Hardware Signal Definitions

Label	Pin	I/O	I/O Type	Signal Name/Description
System				
XTLI	1	I	Ix	Crystal Oscillator Input. Connect XTLI to a 28.224 MHz or 27.000 MHz crystal or clock oscillator circuit. (See SCLKSEL# pin description.)
XTLO	2	O	Ox	Crystal Oscillator Output If XTLI is connected to a 28.224 MHz or 27.000 MHz crystal circuit, also connect XTLO to the crystal circuit; if XTLI is connected to a 28.224 MHz or 27.000 MHz clock oscillator circuit, leave XTLO open.
SCLKSEL#	15	I	Ipu/O2	Clock Frequency Select. Clock frequency is selected by SCLKSEL# during reset processing. Leave open for 27.000 MHz operation; connect pin to digital ground (GND) for 28.224 MHz operation.
RESET#	3	I	Ipu/O2	Reset. The active low RESET# input resets the modem logic and clears the internal SRAM. RESET# low holds the modem in the reset state; RESET# going high releases the modem from the reset state. After application of VDD, RESET# must be held low for at least 15 ms after the VDD power reaches operating range. The modem device set is ready to use 25 ms after the low-to-high transition of RESET#.
VDD_CORE	24	O	PWR	Core Supply Voltage. Internal +1.8 V core voltage for decoupling. Do not connect this pin to an external +1.8 V power supply.
VDD	7, 22	I	PWR	Digital Supply Voltage. Connect to +3.3V.
GND	9, 25	I	GND	Digital Ground. Connect to digital ground (GND).
LPO	23	I	Rx	Low Power Oscillator. Connect to +3.3V through 240 K Ω .
Speaker Interface				
DSPKOUT	28	O	Ipd/O2	Modem Speaker Digital Output. The DSPKOUT digital output reflects the received analog input signal digitized to TTL high or low level by an internal comparator.
DIB Interface				
PWRCLKP	26	O	Odpc	Clock and Power Positive. Provides clock and power to the LSD. Connect to DIB transformer primary winding non-dotted terminal.
PWRCLKN	27	O	Odpc	Clock and Power Negative. Provides clock and power to the LSD. Connect to DIB transformer primary winding dotted terminal.
DIB_DATAP	20	I/O	Idd/Odd	Data Positive. Transfers data, control, and status information between the CX86500 and the LSD. Connect to LSD through DIB data positive channel components.
DIB_DATAN	21	I/O	Idd/Odd	Data Negative. Transfers data, control, and status information between the CX86500 and the LSD. Connect to LSD through DIB data negative channel components.

Table 3-2. CX86500 Modem 28-Pin TSSOP with Serial Interface Hardware Signal Definitions (Continued)

Label	Pin	I/O	I/O Type	Signal Name/Description
V.24 (EIA/TIA-232-E) DTE Serial Interface				
TXD#	5	I	Ipu/O2	Transmitted Data (EIA BA/ITU-T CT103). The DTE uses the TXD# line to send data to the modem for transmission over the telephone line or to transmit commands to the modem.
RXD#	4	O	Ipu/O2	Received Data (EIA BB/ITU-T CT104). The modem uses the RXD# line to send data received from the telephone line to the DTE and to send modem responses to the DTE. During command mode, RXD# data represents the modem responses to the DTE.
CTS#	11	O	Ipu/O2	Clear To Send (EIA CB/ITU-T CT106). CTS# output ON (low) indicates that the modem is ready to accept data from the DTE. In error correction or normal mode, CTS# is always ON (low) unless RTS/CTS flow control is selected by the &Kn command.
RLSD#	17	O	Ipu/O2	Received Line Signal Detector (EIA CF/ITU-T CT109). During normal operation, when AT&C0 command is not in effect, RLSD#/CLKSEL# output is ON when a carrier is detected on the telephone line or OFF when carrier is not detected.
RI#	18	O	Ipu/O2	Ring Indicator (EIA CE/ITU-T CT125). RI# output ON (low) indicates the presence of an ON segment of a ring signal on the telephone line.
DTR#	12	I	Ipu/O2	Data Terminal Ready (EIA CD/ITU-T CT108). The DTR# input is turned ON (low) by the DTE when the DTE is ready to transmit or receive data. DTR# ON prepares the modem to be connected to the telephone line, and maintains the connection established by the DTE (manual answering) or internally (automatic answering). DTR# OFF places the modem in the disconnect state under control of the &Dn and &Qn commands.
RTS#	10	I	Ipu/O2	Request To Send (EIA CA/ITU-T CT105). RTS# input ON (low) indicates that the DTE is ready to send data to the modem. In the command state, the modem ignores RTS#. The modem ignores RTS# unless RTS/CTS flow control is selected by the &Kn command.
RXCLK#	6	O	Ipu/O2	Receive Data Clock. RXCLK# is output in synchronous mode. The RXCLK# frequency is the data rate ($\pm 0.01\%$) with a duty cycle of $50\pm 1\%$. Leave open if not used.
TXCLK#	8	O	Ipu/O2	Transmit Data Clock. TXCLK# is output in synchronous mode. The TXCLK frequency is the data rate ($\pm 0.01\%$) with a duty cycle of $50\pm 1\%$. Leave open if not used.
RESERVED				
RESERVED	19			Reserved. Connect to digital ground (GND).
RESERVED	13, 14, 16			Reserved. Leave open or connect to digital ground (GND).
Note: I/O Types: See Table 3-7.				

3.2 CX86500 Modem 38-Pin TSSOP with Serial or Parallel Interface Hardware Pins and Signals

3.2.1 CX86500 Modem 38-Pin TSSOP with Serial Interface Signal Summary

3.2.1.1 LSD Interface (Through DIB)

The DIB interface signals are:

- Clock and Power Positive (PWRCLKP); output
- Clock and Power Negative (PWRCLKN); output
- Data Positive (DIB_DATAP); input/output
- Data Negative (DIB_DATAN); input/output

3.2.1.2 Call Progress Speaker Interface

The call progress speaker interface signal is:

- Digital speaker output (DSPKOUT); output

3.2.1.3 Serial EEPROM Interface

The 2-line serial interface signals to an optional serial EEPROM are:

- Bidirectional Data input/output (NVMDATA)
- Clock output (NVMCLK)

3.2.1.4 Serial DTE Interface and Indicator Outputs

The supported DTE interface signals are:

- Serial Transmit Data input (TXD#)
- Serial Receive Data output line (RXD#)
- Clear to Send output (CTS#)
- Data Set Ready output (DSR#)
- Received Line Signal Detector (RLSD#)
- Ring Indicator (RI#)
- Data Terminal Ready control input (DTR#)
- Request to Send control input (RTS#)

Additional clock signals provided for synchronous mode are:

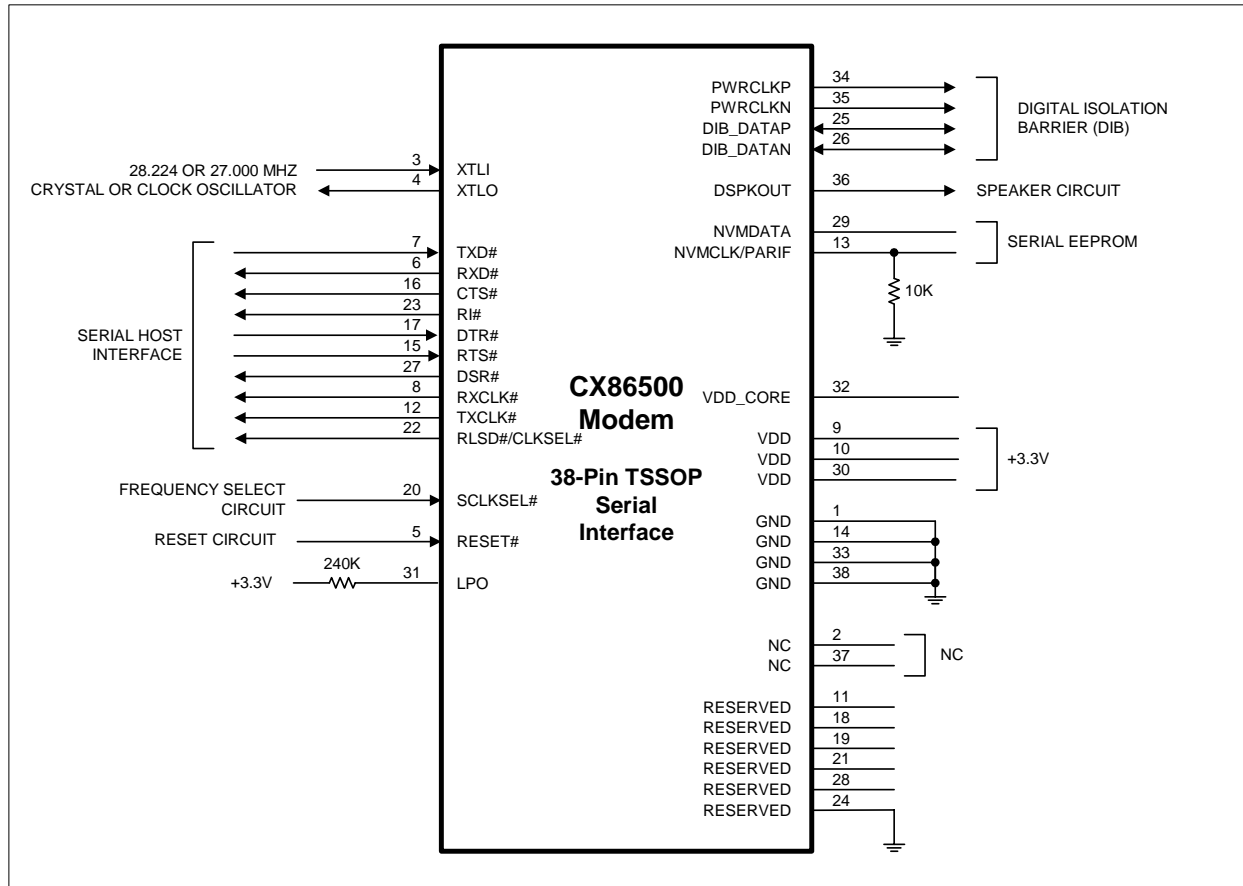
- Receive Data Clock (RXCLK#)
- Transmit Data Clock (TXCLK#)

3.2.2 CX86500 Modem 38-Pin TSSOP with Serial Interface Pin Assignments and Signal Definitions

CX86500 Modem 38-pin TSSOP hardware interface signals are shown by major interface in Figure 3-3 are shown by pin number in Figure 3-4, and are listed by pin number in Table 3-3.

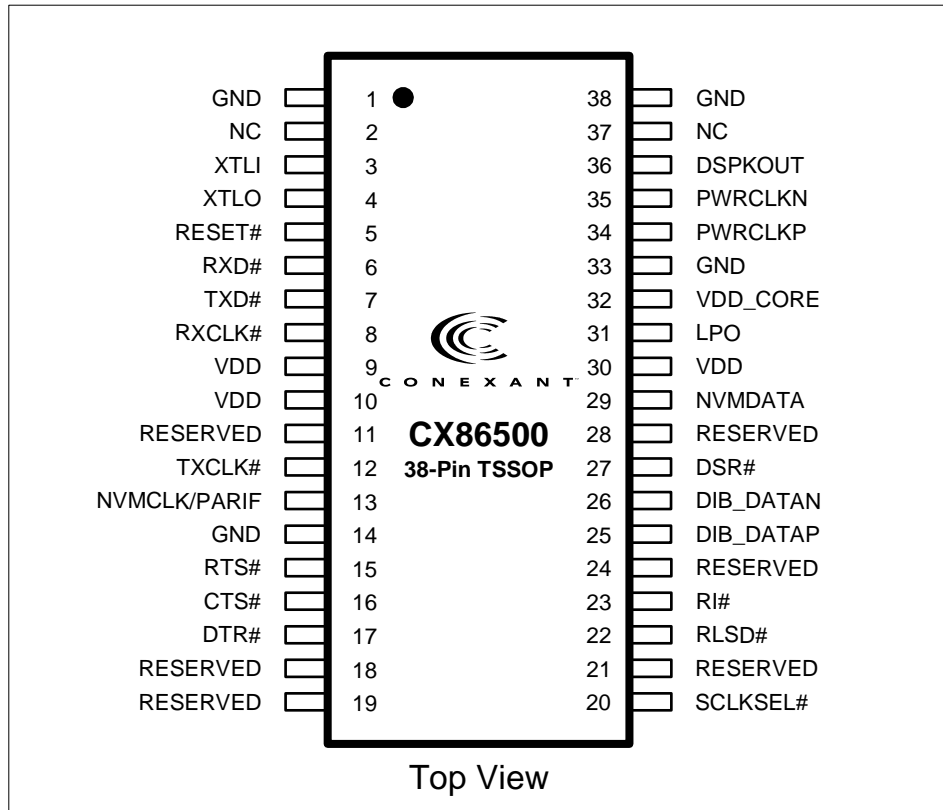
CX86500 Modem hardware interface signals are defined in Table 3-4.

Figure 3-3. CX86500 Modem 38-Pin TSSOP with Serial Interface Hardware Signals



102287_004

Figure 3-4. CX86500 Modem 38-Pin TSSOP with Serial Interface Pin Signals



102287_005

Table 3-3. CX86500 Modem 38-Pin TSSOP with Serial Interface Pin Signals

Pin No.	Signal Name	Pin No.	Signal Name
1	GND	20	SCLKSEL#
2	NC	21	RESERVED
3	XTLI	22	RLSD#
4	XTLO	23	RI#
5	RESET#	24	RESERVED
6	RXD#	25	DIB_DATAP
7	TXD#	26	DIB_DATAN
8	RXCLK#	27	DSR#
9	VDD	28	RESERVED
10	VDD	29	NVMDATA
11	RESERVED	30	VDD
12	TXCLK#	31	LPO
13	NVMCLK/PARIF	32	VDD_CORE
14	GND	33	GND
15	RTS#	34	PWRCLKP
16	CTS#	35	PWRCLKN
17	DTR#	36	DSPKOUT
18	RESERVED	37	NC
19	RESERVED	38	GND

Table 3-4. CX86500 Modem 38-Pin TSSOP with Serial Interface Hardware Signal Definitions

Label	Pin	I/O	I/O Type	Signal Name/Description
System				
XTLI	3	I	Ix	Crystal Oscillator Input. Connect XTLI to a 28.224 MHz or 27.000 MHz crystal or clock oscillator circuit. (See SCLKSEL# pin description.)
XTLO	4	O	Ox	Crystal Oscillator Output If XTLI is connected to a 28.224 MHz or 27.000 MHz crystal circuit, also connect XTLO to the crystal circuit; if XTLI is connected to a 28.224 MHz or 27.000 MHz clock oscillator circuit, leave XTLO open.
SCLKSEL#	20	I	Ipu/O2	Clock Frequency Select. Clock frequency is selected by SCLKSEL# during reset processing. Leave open for 27.000 MHz operation; connect pin to digital ground (GND) for 28.224 MHz operation.
RESET#	5	I	Ipu/O2	Reset. The active low RESET# input resets the modem logic and clears the internal SRAM. RESET# low holds the modem in the reset state; RESET# going high releases the modem from the reset state. After application of VDD, RESET# must be held low for at least 15 ms after the VDD power reaches operating range. The modem device set is ready to use 25 ms after the low-to-high transition of RESET#.
VDD_CORE	32	O	PWR	Core Supply Voltage. Internal +1.8 V core voltage for decoupling. Do not connect this pin to an external +1.8 V power supply.
VDD	9, 10, 30	I	PWR	Digital Supply Voltage. Connect to +3.3V.
GND	1, 14, 33, 38	I	GND	Digital Ground. Connect to digital ground (GND).
LPO	31	I	Rx	Low Power Oscillator. Connect to +3.3V through 240 K Ω .
Speaker Interface				
DSPKOUT	36	O	Ipd/O2	Modem Speaker Digital Output. The DSPKOUT digital output reflects the received analog input signal digitized to TTL high or low level by an internal comparator.
DIB Interface				
PWRCLKP	34	O	Odpc	Clock and Power Positive. Provides clock and power to the LSD. Connect to DIB transformer primary winding non-dotted terminal.
PWRCLKN	35	O	Odpc	Clock and Power Negative. Provides clock and power to the LSD. Connect to DIB transformer primary winding dotted terminal.
DIB_DATAP	25	I/O	Idd/Odd	Data Positive. Transfers data, control, and status information between the CX86500 and the LSD. Connect to LSD through DIB data positive channel components.
DIB_DATAN	26	I/O	Idd/Odd	Data Negative. Transfers data, control, and status information between the CX86500 and the LSD. Connect to LSD through DIB data negative channel components.
NVRAM Interface				
NVMCLK/PARIF	13	I/O	Ipu/O2	NVRAM Clock. During normal operation, NVMCLK/PARIF output high enables the EEPROM. Connect to EEPROM SCL pin. Parallel/Serail Interface Select. During reset processing: parallel host interface is selected by NVMCLK/PARIF high (by internal pullup when no external pullup is connected to the pin); serial host interface is selected by NVMCLK/PARIF low (pin connected to GND through a 10 K Ω pulldown resistor).
NVMDATA	29	I/O	Ipu/O2	NVRAM Data. The NVMDATA pin supplies a serial data interface to the EEPROM. Connect to EEPROM SDA pin and to +3.3V through 10 K Ω .

Table 3-4. CX86500 Modem 38-Pin TSSOP with Serial Interface Hardware Signal Definitions (Continued)

Label	Pin	I/O	I/O Type	Signal Name/Description
V.24 (EIA/TIA-232-E) DTE Serial Interface				
TXD#	7	I	Ipu/O2	Transmitted Data (EIA BA/ITU-T CT103). The DTE uses the TXD# line to send data to the modem for transmission over the telephone line or to transmit commands to the modem.
RXD#	6	O	Ipu/O2	Received Data (EIA BB/ITU-T CT104). The modem uses the RXD# line to send data received from the telephone line to the DTE and to send modem responses to the DTE. During command mode, RXD# data represents the modem responses to the DTE.
CTS#	16	O	Ipu/O2	Clear To Send (EIA CB/ITU-T CT106). CTS# output ON (low) indicates that the modem is ready to accept data from the DTE. In error correction or normal mode, CTS# is always ON (low) unless RTS/CTS flow control is selected by the &Kn command.
RLSD#	22	O	Ipu/O2	Received Line Signal Detector (EIA CF/ITU-T CT109). During normal operation, when AT&C0 command is not in effect, RLSD#/CLKSEL# output is ON when a carrier is detected on the telephone line or OFF when carrier is not detected. Clock Frequency Select. During reset processing: 28.224 MHz operation is selected by RLSD#/CLKSEL# high (by internal pullup when no external pullup is connected to the pin); 27.000 MHz operation is selected by RLSD#/CLKSEL# low (pin connected to GND through a 10 K Ω pull-down resistor).
RI#	23	O	Ipu/O2	Ring Indicator (EIA CE/ITU-T CT125). RI# output ON (low) indicates the presence of an ON segment of a ring signal on the telephone line.
DTR#	17	I	Ipu/O2	Data Terminal Ready (EIA CD/ITU-T CT108). The DTR# input is turned ON (low) by the DTE when the DTE is ready to transmit or receive data. DTR# ON prepares the modem to be connected to the telephone line, and maintains the connection established by the DTE (manual answering) or internally (automatic answering). DTR# OFF places the modem in the disconnect state under control of the &Dn and &Qn commands.
RTS#	15	I	Ipu/O2	Request To Send (EIA CA/ITU-T CT105). RTS# input ON (low) indicates that the DTE is ready to send data to the modem. In the command state, the modem ignores RTS#. The modem ignores RTS# unless RTS/CTS flow control is selected by the &Kn command.
DSR#	27	O	Ipu/O2	Data Set Ready (EIA CC/ITU-T CT107). DSR# indicates modem status to the DTE. DSR# OFF (high) indicates that the DTE is to disregard all signals appearing on the interchange circuits except Ring Indicator (RI#). DSR# output is controlled by the AT&Sn command.
RXCLK#	8	O	Ipu/O2	Receive Data Clock. RXCLK# is output in synchronous mode. The RXCLK# frequency is the data rate ($\pm 0.01\%$) with a duty cycle of 50 $\pm 1\%$. Leave open if not used.
TXCLK#	12	O	Ipu/O2	Transmit Data Clock. TXCLK# is output in synchronous mode. The TXCLK frequency is the data rate ($\pm 0.01\%$) with a duty cycle of 50 $\pm 1\%$. Leave open if not used.
Reserved				
RESERVED	24			Reserved. Connect to digital ground (GND).
RESERVED	11, 18, 19, 21, 28			Reserved. Leave open or connect to digital ground (GND).
No Connect				
NC	2, 37			No Internal Connection. Leave open.
Note: I/O Types: See Table 3-7.				

3.2.3 CX86500 Modem 38-Pin TSSOP with Parallel Interface Signal Summary

3.2.3.1 LSD Interface (Through DIB)

The DIB interface signals are:

- Clock and Power Positive (PWRCLKP); output
- Clock and Power Negative (PWRCLKN); output
- Data Positive (DIB_DATAP); input/output
- Data Negative (DIB_DATAN); input/output

3.2.3.2 Call Progress Speaker Interface

The call progress speaker interface signal is:

- Digital speaker output (DSPKOUT); output

3.2.3.3 Serial EEPROM Interface

The 2-line serial interface signals to an optional serial EEPROM are:

- Bidirectional Data input/output (NVMDATA)
- Clock output (NVMCLK)

3.2.3.4 Parallel Host Bus Interface

The parallel host interface signals are:

- Host Reset control input line (RESET#)
- Host Chip Select control input (HCS#)
- Host Read control input (HRD#) and Host Write control input (HWT#)
- Host Interrupt output line (HINT)
- Three Host Address input lines (HA0-HA2)
- Eight Host Data lines (HD0-HD7)

3.2.4 CX86500 Modem 38-Pin TSSOP with Parallel Interface Pin Assignments and Signal Definitions

CX86500 Modem 38-pin TSSOP hardware interface signals are shown by major interface in Figure 3-5 are shown by pin number in Figure 3-6, and are listed by pin number in Table 3-5.

CX86500 Modem hardware interface signals are defined in Table 3-6.

Figure 3-5. CX86500 Modem 38-Pin TSSOP with Parallel Interface Hardware Signals

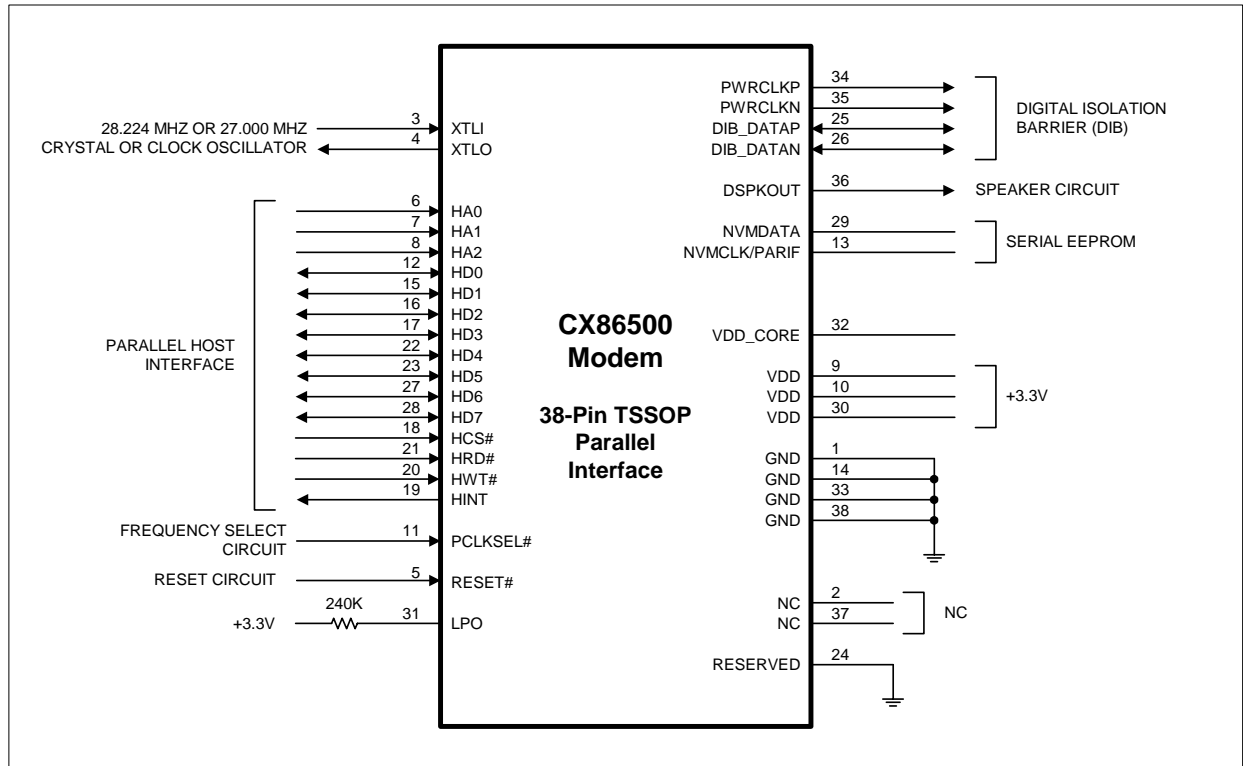
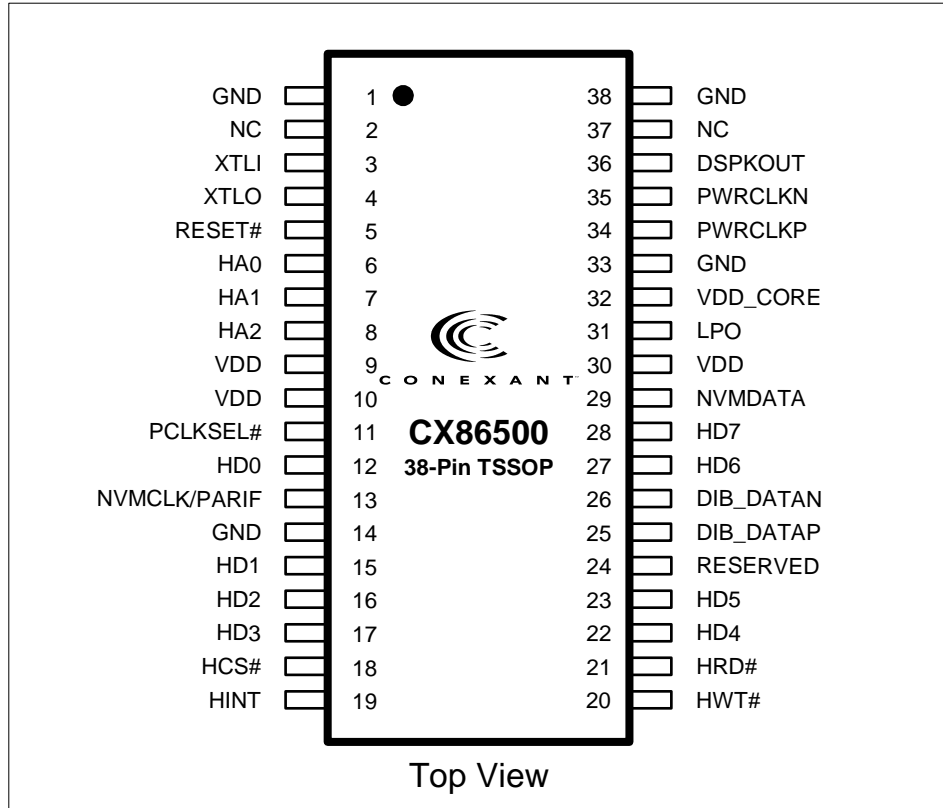


Figure 3-6. CX86500 Modem 38-Pin TSSOP with Parallel Interface Pin Signals



102287_007

Table 3-5. CX86500 Modem 38-Pin TSSOP with Parallel Interface Pin Signals

Pin No.	Signal Name	Pin No.	Signal Name
1	GND	20	HWT#
2	NC	21	HRD#
3	XTLI	22	HD4
4	XTLO	23	HD5
5	RESET#	24	RESERVED
6	HA0	25	DIB_DATAP
7	HA1	26	DIB_DATAN
8	HA2	27	HD6
9	VDD	28	HD7
10	VDD	29	NVMDATA
11	PCLKSEL#	30	VDD
12	HD0	31	LPO
13	NVMCLK/PARIF	32	VDD_CORE
14	GND	33	GND
15	HD1	34	PWRCLKP
16	HD2	35	PWRCLKN
17	HD3	36	DSPKOUT
18	HCS#	37	NC
19	HINT	38	GND

Table 3-6. CX86500 Modem 38-Pin TSSOP with Parallel Interface Hardware Signal Definitions

Label	Pin	I/O	I/O Type	Signal Name/Description
System				
XTLI	3	I	Ix	Crystal Oscillator Input. Connect XTLI to a 28.224 MHz or 27.000 MHz crystal or clock oscillator circuit. (See PCLKSEL# pin description.)
XTLO	4	O	Ox	Crystal Oscillator Output If XTLI is connected to a 28.224 MHz or 27.000 MHz crystal circuit, also connect XTLO to the crystal circuit; if XTLI is connected to a 28.224 MHz or 27.000 MHz clock oscillator circuit, leave XTLO open.
PCLKSEL#	11	I	Ipu/O2	Clock Frequency Select. Clock frequency is selected by PCLKSEL# during reset processing. Leave open for 27.000 MHz operation; connect pin to digital ground (GND) for 28.224 MHz operation.
RESET#	5	I	Ipu/O2	Reset. The active low RESET# input resets the modem logic and clears the internal SRAM. RESET# low holds the modem in the reset state; RESET# going high releases the modem from the reset state. After application of VDD, RESET# must be held low for at least 15 ms after the VDD power reaches operating range. The modem device set is ready to use 25 ms after the low-to-high transition of RESET#.
VDD_CORE	32	O	PWR	Core Supply Voltage. Internal +1.8 V core voltage for decoupling. Do not connect this pin to an external +1.8 V power supply.
VDD	9, 10, 30	I	PWR	Digital Supply Voltage. Connect to +3.3V.
GND	1, 14, 33, 38	I	GND	Digital Ground. Connect to digital ground (GND).
LPO	31	I	Rx	Low Power Oscillator. Connect to +3.3V through 240 K Ω .
Speaker Interface				
DSPKOUT	36	O	Ipd/O2	Modem Speaker Digital Output. The DSPKOUT digital output reflects the received analog input signal digitized to TTL high or low level by an internal comparator.
DIB Interface				
PWRCLKP	34	O	Odpc	Clock and Power Positive. Provides clock and power to the LSD. Connect to DIB transformer primary winding non-dotted terminal.
PWRCLKN	35	O	Odpc	Clock and Power Negative. Provides clock and power to the LSD. Connect to DIB transformer primary winding dotted terminal.
DIB_DATAP	25	I/O	Idd/Odd	Data Positive. Transfers data, control, and status information between the CX86500 and the LSD. Connect to LSD through DIB data positive channel components.
DIB_DATAN	26	I/O	Idd/Odd	Data Negative. Transfers data, control, and status information between the CX86500 and the LSD. Connect to LSD through DIB data negative channel components.
NVRAM Interface				
NVMCLK/PARIF	13	I/O	Ipu/O2	NVRAM Clock. During normal operation, NVMCLK/PARIF output high enables the EEPROM. Connect to EEPROM SCL pin. Parallel/Serail Interface Select. During reset processing: parallel host interface is selected by NVMCLK/PARIF high (by internal pullup when no external pullup is connected to the pin); serial host interface is selected by NVMCLK/PARIF low (pin connected to GND through a 10 K Ω pulldown resistor).
NVMDATA	29	I/O	Ipu/O2	NVRAM Data. The NVMDATA pin supplies a serial data interface to the EEPROM. Connect to EEPROM SDA pin and to +3.3V through 10 K Ω .

Table 3-6. CX86500 Modem 38-Pin TSSOP with Parallel Interface Hardware Signal Definitions (Continued)

Label	Pin	I/O	I/O Type	Signal Name/Description
Parallel Host Interface				
HCS#	18	I	Ipu/O2	Host Bus Chip Select. HCS# input low enables the MCU host bus interface.
HWT#	20	I	Ipu/O2	Host Bus Write. HWT# is an active low, write control input. When HCS# is low, HWT# low allows the host to write data or control words into a selected MCU register.
HRD#	21	I	Ipu/O2	Host Bus Read. HRD# is an active low, read control input. When HCS# is low, HRD# low allows the host to read status information or data from a selected MCU register.
HINT	19	O	Ipd/O2	Host Bus Interrupt. HINT output is set high when the receiver error flag, received data available, transmitter holding register empty, or modem status interrupt is asserted. HINT is reset low upon the appropriate interrupt service or master reset operation.
HA0-HA2	6-8	I	Ipu/O2	Host Bus Address Lines 0-2. During a host read or write operation with HCS# low, HA0-HA2 select an internal MCU 16550A-compatible register.
HD0-HD7	12, 15-17, 22, 23, 27, 28	I/O	Ippu/O2	Host Bus Data Lines 0-7. HD0-HD7 are three-state input/output lines providing bidirectional communication between the host and the MCU. Data, control words, and status information are transferred over HD0-HD7.
Reserved				
RESERVED	24			Reserved. Connect to digital ground (GND).
No Connect				
NC	2, 37			No Internal Connection. Leave open.
Note: I/O Types: See Table 3-7.				

3.3 CX86500 Electrical Characteristics

CX86500 I/O types are defined in Table 3-7.

CX86500 DC electrical characteristics are listed in Table 3-8.

Table 3-7. CX86500 Modem I/O Type Definitions

I/O Type	Description
Idd/Odd	Digital input/output, DIB data transceiver
Ix/Ox	I/O, wire
Ipd/O2	Digital input, 310 k Ω pull-down / Digital output, 2 mA
Ipu/O2	Digital input, 30 k Ω pull-up / Digital output, 2 mA
Ippu/O2	Digital input, Programmable 30 k Ω pull-up / Digital output, 2 mA
Odpc	Digital output with adjustable drive, DIB clock and power
Rx	Oscillator Pad, place 240 k Ω resistor from pad to VDD
PWR	VCC Power
GND	Ground
NOTES:	
1. See DC characteristics in Table 3-8.	
2. I/O Type corresponds to the device Pad Type. The I/O column in signal interface tables refers to signal I/O direction used in the application.	

Table 3-8. CX86500 Modem DC Electrical Characteristics

Parameter	Symbol	Min.	Max.	Units	Test Conditions
Input Voltage Low	VIL	0	0.3 * VDD	V	
Input Voltage High	VIH	0.7 * VDD	VDD	V	
Input Current (no Pull-Down or Pull-Up)	IIL	-1	+1	μ A	OEN = 1
Input Current (Pull-Down)	IPD	+6	+30	μ A	VIN = VDD
Input Current (Pull-Up)	IPU	-300	-60	μ A	VIN = GND
Output Voltage Low	VOL	0	0.4	V	IOL = +2 mA
Output Voltage High	VOH	VDD-0.4	VDD	V	IOL = -2 mA
Output Impedance	Z	25	95	Ω	
Pull-Up Resistance	Rpu	12	50	k Ω	VIN = GND
Pull-Down Resistance	Rpd	120	500	k Ω	VIN = VDD
Test Conditions unless otherwise stated: VDD = +3.3 \pm 0.3 VDC; TA = 0°C to 70°C; external load = 50 pF.					

3.4 CX20493 LSD 28-Pin QFN Hardware Pins and Signals

3.4.1 CX20493 LSD 28-Pin QFN Signal Summary

3.4.1.1 CX86500 Interface (Through DIB)

The DIB interface, power, and ground signals are:

- Clock (CLK, pin 26); input
- Digital Power (PWR+, pin 7); unregulated input power
- Regulated Digital Voltage Supply (DVdd, pin 24)
- Digital Ground (DGnd, pin 23); digital ground
- Regulated Analog Voltage Supply (AVdd, pin 2)
- Analog Ground (AGnd, pin 6); analog ground
- Data Positive (DIB_P, pin 27); input/output
- Data Negative (DIB_N, pin 28); input/output

3.4.1.2 Telephone Line Interface

The telephone line interface signals are:

- RING 1 AC Coupled (RAC1, pin 21); input
- TIP 1 AC Coupled (TAC1, pin 20); input
- RING 2 AC Coupled (RAC2, pin 19); input
- TIP 2 AC Coupled (TAC2, pin 18); input
- TIP and RING DC Measurement (TRDC, pin 12); input
- Electronic Inductor Capacitor (EIC, pin 11)
- Electronic Inductor Output (EIO, pin 17)
- Electronic Inductor Feedback (EIF, pin 16)
- Receive Analog Input (RXI, pin 9); input
- Transmit Output (TXO, pin 14); output
- Transmit Feedback (TXF, pin 13); input
- Virtual Impedance 0 (VZ, pin 10); input
- Electronic Inductor Ground (DC_GND, pin 15)

3.4.1.3 Voltage References

There are three reference voltage pins:

- Output Middle (Center) Reference Voltage (Vc, pin 3); output for decoupling
- Output Reference Voltage (VRef, pin 4); output for decoupling
- Bias Resistor (RBias, pin 5); input

3.4.1.4 General Purpose Input/Output

There is one unassigned general purpose input/output pin:

- General Purpose Input/Output 1 (GPIO1, pin 1); input/output

3.4.1.5 No Connects

Three pins are not used:

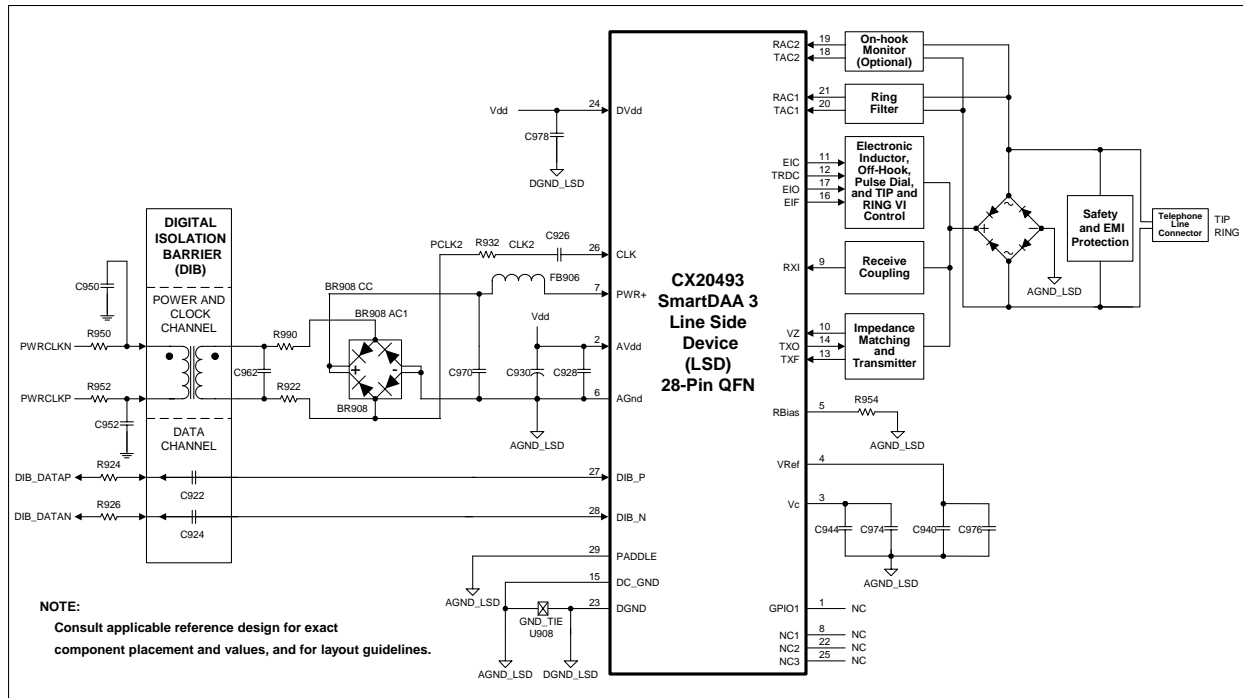
- No Connect 1 (NC1, pin 8); no internal connection
- No Connect 2 (NC2, pin 22); no internal connection
- No Connect 3 (NC3, pin 25); no internal connection

3.4.2 CX20493 LSD Pin Assignments and Signal Definitions

CX20493 LSD hardware interface signals are shown by major interface in Figure 3-7, are shown by pin number in Figure 3-8, and are listed by pin number in Table 3-9.

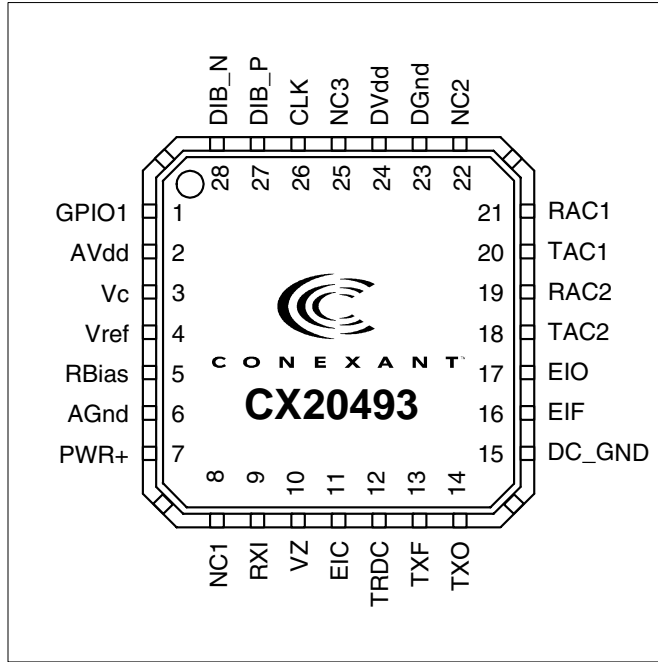
CX20493 LSD hardware interface signals are defined in Table 3-10.

Figure 3-7. CX20493 LSD 28-Pin QFN Hardware Interface Signals



101701_006

Figure 3-8. CX20493 LSD 28-Pin QFN Pin Signals



101701A_007

Table 3-9. CX20493 LSD 28-Pin QFN Pin Signals

Pin	Signal Label	Pin	Signal Label
1	GPIO1	15	DC_GND
2	AVdd	16	EIF
3	Vc	17	EIO
4	VRef	18	TAC2
5	RBias	19	RAC2
6	AGnd	20	TAC1
7	PWR+	21	RAC1
8	NC1	22	NC2
9	RXI	23	DGnd
10	VZ	24	DVdd
11	EIC	25	NC3
12	TRDC	26	CLK
13	TXF	27	DIB_P
14	TXO	28	DIB_N

Table 3-10. CX20493 LSD 28-Pin QFN Hardware Signal Definitions

Label	Pin	I/O	I/O Type	Signal Name/Description
System Signals				
AVdd	2	PWR	PWR	Regulated Power Output. Provides external power for LSD digital circuits and a connection point for external decoupling. (AVdd is routed internally to LSD analog circuits.) See PWR+ pin description. Connect to LSD DVdd pin and connect to AGND_LSD through C928 and C930 in parallel. C928 and C930 must be placed close to pins 2 and 6. C930 must have ESR < 2 Ω .
AGnd	6	AGND_LSD	AGND_LSD	Analog Ground. Connect to minus (-) terminal of full wave rectifier (FWR). Connect FWR BR980 terminal to DIB transformer secondary winding undotted terminal through R922.
VRef	4	REF	REF	Output Reference Voltage. Connect to AGND_LSD through C940 and C976, which must be placed close to pin 4. Ensure a very close proximity between C940 and the VRef pin. C940 must have a maximum ESR of 2 Ω .
Vc	3	REF	REF	Output Middle Reference Voltage. Connect to AGND_LSD through C944 and C974, which must be placed close to pin 3. Ensure a very close proximity between C944 and the Vc pin. Use a short path and a wide trace to AGND_LSD pin.
PWR+	7	PWR	PWR	Unregulated Power Input. Provides unregulated input power to the LSD. PWR+ pin is an input which takes unregulated +3.2V to +4.5V from the DIB power supply made up of the transformer, full-wave rectifier, and filter capacitors. The PWR+ input is regulated by an internal linear regulator to +3.3V \pm 5% which is routed to the AVdd pin. If PWR+ is less than +3.4V, then AVdd is equal to the unregulated PWR+ input value minus 150 mV (Table 3-14). Connect to plus (+) terminal of FWR. Connect terminal BR908 AC1 to DIB transformer secondary winding dotted terminal through R990. Connect transformer side of FB906 to AGND_LSD through C970. Place FB906 and C970 close to pin 7 and pin 6 (AGnd).
DVdd	24	PWR	PWR	Digital Power Input. Input power for LSD digital circuits. Connect to LSD AVdd pin and connect to DGND_LSD through C978. Place C978 near pin 24.
DGnd	23	DGND_LSD	DGND_LSD	LSD Digital Ground. Connect to DGND_LSD, and to AGND_LSD at the DGND_LSD/AGND_LSD tie point (U908).
PADDLE	—	AGND_LSD	AGND_LSD	Paddle Ground. Referred to as pin 29 in schematics. Connect to AGND_LSD.
DIB Interface Signals				
CLK	26	I	I	Clock. Provides input clock, AC coupled to the LSD. Connect to DIB transformer secondary winding undotted terminal through C926 (closest to the CX20493), R932, then R922 in series. Connect the R932 and R922 node to LSD AGND pin through full-wave rectifier BR908. Place C926 near pin 26 and place R932 near C926.
DIB_P	27	I/O	I/O	Data and Control Positive. Connect to DIBDAT_P through R924 in series with C922. DIB_P and DIB_N signals are differential and half-duplex bidirectional.
DIB_N	28	I/O	I/O	Data and Control Negative. Connect to DIBDAT_N through R926 in series with C924. DIB_P and DIB_N signals are differential and half-duplex bidirectional.

Table 3-10. CX20493 LSD 28-Pin QFN Hardware Signal Definitions (Continued)

Label	Pin	I/O	I/O Type	Signal Name/Description
TIP and RING Interface				
RAC1 TAC1	21 20	I I	la la	RING1 AC Coupled and TIP1 AC Coupled. AC-coupled voltage from telephone line used to detect ring. Connect RAC1 to the diode bridge AC node (RING) through R902 (connects to pin 21) and C902 in series. Connect TAC1 to the diode bridge AC node (TIP) through R904 (connects to pin 20) and C904 in series.
RAC2 TAC2	19 18	I I	la la	RING2 AC Coupled and TIP2 AC Coupled. AC-coupled voltage from telephone line used to optionally detect signal while on-hook. Connect RAC2 to the diode bridge AC node (RING) through R948 (connects to pin 19) and C948. Leave open if not used. Connect TAC2 to the diode bridge AC node (TIP) through R946 (connects to pin 21) and C946. Leave open if not used.
EIC	11	O	Oa	Electronic Inductor Capacitor Switch. Internally switched to TRDC when pulse dialing. Connect to AGND_LSD through C958.
TRDC	12	I	la	TIP and RING DC Measurement. Input on-hook voltage (from a resistive divider). Used internally to extract TIP and RING DC voltage and Line Polarity Reversal (LPR) information. R906 and C918 must be placed very close to pin 12.
EIO	17	O	Oa	Electronic Inductor Output. Calculated voltage is applied to this output to control off-hook and DC VI mask operation. Connect to base of Q902.
DC_GND	15	GND	AGND_LSD	LSD Electronic Inductor Ground. Connect to AGND_LSD and to the GND_LSD/AGND_LSD tie point (U908).
EIF	16	I	la	Electronic Inductor Feedback. Connect to emitter of Q904 through R968.
RXI	9	I	la	Receive Analog Input. Receiver operational amplifier inverting input. AC coupled to the Bridge CC node through R910 (connects to pin 9) and C912 in series. R910 and C912 must be placed very close to pin 9. The length of the PCB trace connecting R910 to the RXI pin must be kept at an absolute minimum.
RBias	5	I	la	Receiver Bias. Connect to AGND_LSD through R954, which must be placed close to pin 5.
VZ	10	I	la	Virtual Impedance. Input signal used to provide line complex impedance matching for worldwide countries. AC coupled to Bridge CC node through R908 (connects to pin 10) and C910 in series. R908 and C910 must be placed very close to pin 10. The length of the PCB trace connecting R908 to the VZ pin must be kept at an absolute minimum.
TXO	14	O	Oa	Transmit Output. Outputs transmit signal and impedance matching signal; connect to base of transmitter transistor Q906.
TXF	13	I	la	Transmit Feedback. Connect to emitter of transmitter transistor Q906.
Not Used				
GPIO1	1	I/O	It/Ot12	General Purpose I/O 1. Leave open if not used.
NC1	8			No Connect. No internal connection. Leave open.
NC2	22			No Connect. No internal connection. Leave open.
NC3	25			No Connect. No internal connection. Leave open.
Notes:				
1. I/O types*:				
la Analog input				
It Digital input, TTL-compatible				
Oa Analog output				
Ot12 Digital output, TTL-compatible, 12 mA, $Z_{INTERNAL} = 32 \Omega$				
AGND_LSD Isolated LSD Analog Ground				
GND_LSD Isolated LSD Digital Ground				
*See CX20493 LSD GPIO DC Electrical Characteristics (Table 3-13).				
2. Refer to applicable reference design for exact component placement and values.				

3.5 CX20493 LSD 32-Pin LQFP Hardware Pins and Signals

3.5.1 CX20493 LSD 32-Pin LQFP Signal Summary

3.5.1.1 CX86500 Interface (Through DIB)

The DIB interface, power, and ground signals are:

- Clock (CLK, pin 29); input
- Digital Power (PWR+, pin 8); unregulated input power
- Regulated Digital Voltage Supply (DVdd, pin 28)
- Digital Ground (DGnd, pin 26 and pin 27); digital ground
- Regulated Analog Voltage Supply (AVdd, pin 2 and pin 3)
- Analog Ground (AGnd, pin 7); analog ground
- Data Positive (DIB_P, pin 30); input/output
- Data Negative (DIB_N, pin 31); input/output

3.5.1.2 Telephone Line Interface

The telephone line interface signals are:

- RING 1 AC Coupled (RAC1, pin 24); input
- TIP 1 AC Coupled (TAC1, pin 23); input
- RING 2 AC Coupled (RAC2, pin 22); input
- TIP 2 AC Coupled (TAC2, pin 21); input
- TIP and RING DC Measurement (TRDC, pin 13); input
- Electronic Inductor Capacitor (EIC, pin 12)
- Electronic Inductor Output (EIO, pin 20)
- Electronic Inductor Feedback (EIF, pin 19)
- Receive Analog Input (RXI, pin 10); input
- Transmit Output (TXO, pin 15); output
- Transmit Feedback (TXF, pin 14); input
- Virtual Impedance 0 (VZ, pin 11); input
- Electronic Inductor Ground (DC_GND, pins 1, 9, 16, 18, and 25)

3.5.1.3 Voltage References

There are three reference voltage pins:

- Output Middle (Center) Reference Voltage (Vc, pin 4); output for decoupling
- Output Reference Voltage (VRef, pin 5); output for decoupling
- Bias Resistor (RBias, pin 6); input

3.5.1.4 General Purpose Input/Output

There is one unassigned general purpose input/output pin:

- General Purpose Input/Output 1 (GPIO1, pin 32); input/output

3.5.1.5 No Connects

There is one No Connect pin:

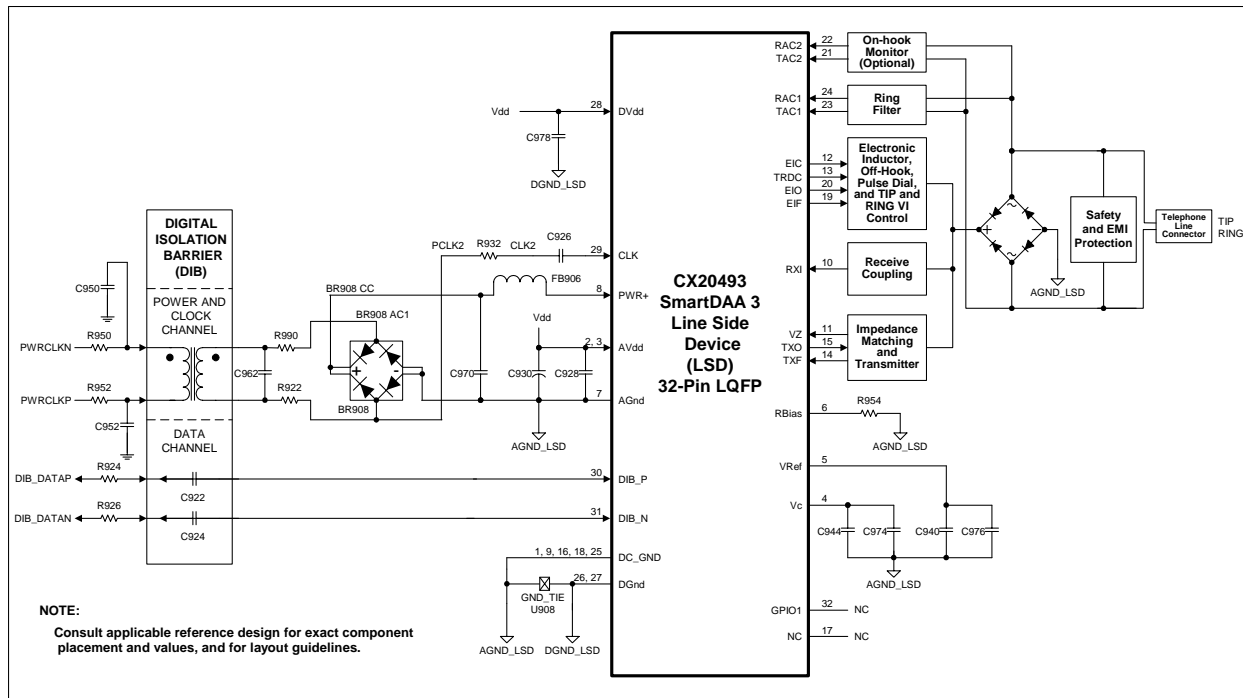
- No Connect (NC, pin 17); no internal connection

3.5.2 CX20493 LSD 32-Pin LQFP Pin Assignments and Signal Definitions

CX20493 LSD hardware interface signals are shown by major interface in Figure 3-7, are shown by pin number in Figure 3-8, and are listed by pin number in Table 3-11.

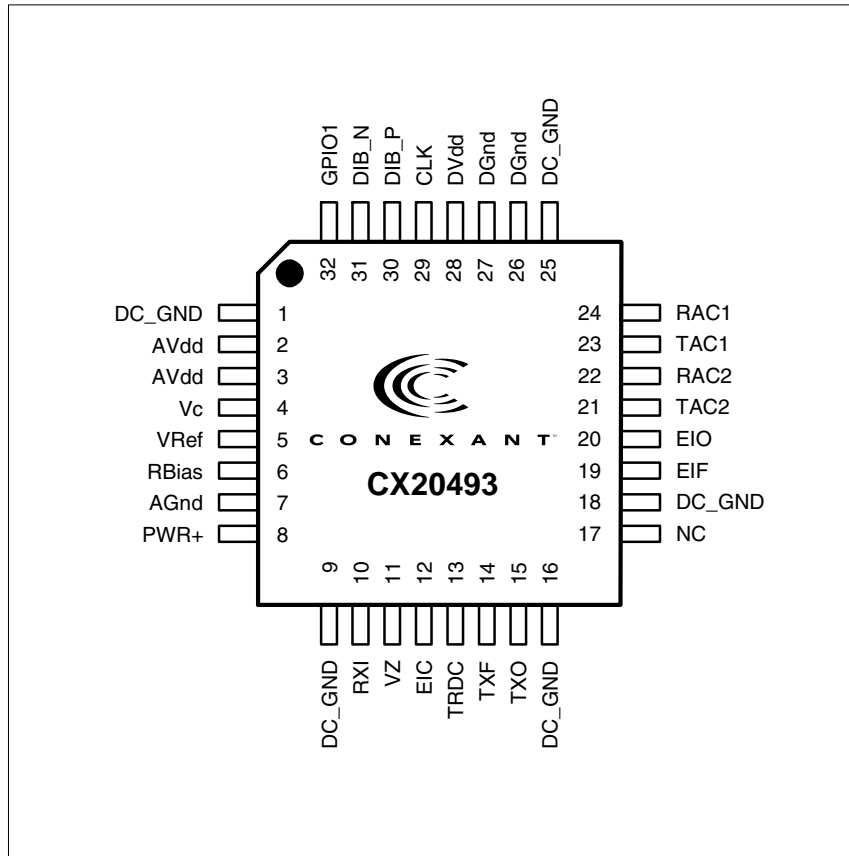
CX20493 LSD hardware interface signals are defined in Table 3-12.

Figure 3-9. CX20493 LSD 32-Pin LQFP Hardware Interface Signals



102247_007

Figure 3-10. CX20493 LSD 32-Pin LQFP Pin Signals



102247_008

Table 3-11. CX20493 LSD 32-Pin LQFP Pin Signals

Pin	Signal Label	Pin	Signal Label
1	DC_GND	17	NC
2	AVdd	18	DC_GND
3	AVdd	19	EIF
4	Vc	20	EIO
5	VRef	21	TAC2
6	RBias	22	RAC2
7	AGnd	23	TAC1
8	PWR+	24	RAC1
9	DC_GND	25	DC_GND
10	RXI	26	DGnd
11	VZ	27	DGnd
12	EIC	28	DVdd
13	TRDC	29	CLK
14	TXF	30	DIB_P
15	TXO	31	DIB_N
16	DC_GND	32	GPIO1

Table 3-12. CX20493 LSD 32-Pin LQFP Pin Signal Definitions

Label	Pin	I/O	I/O Type	Signal Name/Description
System Signals				
AVdd	2, 3	PWR	PWR	Regulated Power Output. Provides external power for LSD digital circuits and a connection point for external decoupling. (AVdd is routed internally to LSD analog circuits.) See PWR+ pin description. Connect to LSD DVdd pin and connect to AGND_LSD through C928 and C930 in parallel. C928 and C930 must be placed close to pin 3 (AVdd) and pin 7 (AGnd). C930 must have ESR < 2 Ω .
AGnd	7	AGND_LSD	AGND_LSD	Analog Ground. Connect to minus (-) terminal of full wave rectifier (FWR). Connect FWR BR980 terminal to DIB transformer secondary winding undotted terminal through R922.
VRef	5	REF	REF	Output Reference Voltage. Connect to AGND_LSD through C940 and C976, which must be placed close to pin 5 (VRef). Ensure a very close proximity between C940 and pin 5. C940 must have a maximum ESR of 2 Ω .
Vc	4	REF	REF	Output Middle Reference Voltage. Connect to AGND_LSD through C944 and C974, which must be placed close to pin 4 (Vc). Ensure a very close proximity between C944 and pin 4. Use a short path and a wide trace to AGND_LSD pin.
PWR+	8	PWR	PWR	Unregulated Power Input. Provides unregulated input power to the LSD. PWR+ pin is an input which takes unregulated +3.2V to +4.5V from the DIB power supply made up of the transformer, full-wave rectifier, and filter capacitors. The PWR+ input is regulated by an internal linear regulator to +3.3V \pm 5% which is routed to the AVdd pin. If PWR+ is less than +3.4V, then AVdd is equal to the unregulated PWR+ input value minus 150 mV (Table 3-14). Connect to plus (+) terminal of FWR. Connect terminal BR908 AC1 to DIB transformer secondary winding dotted terminal through R990. Connect transformer side of FB906 to AGND_LSD through C970. Place FB906 and C970 close to pin 8 (PWR+) and pin 7 (AGnd).
DVdd	28	PWR	PWR	Digital Power Input. Input power for LSD digital circuits. Connect to LSD AVdd pin and connect to DGND_LSD through C978. Place C978 near pin 27 (DVdd).
DGnd	26, 27	DGND_LSD	DGND_LSD	LSD Digital Ground. Connect to DGND_LSD, and to AGND_LSD at the DGND_LSD/AGND_LSD tie point (U908).
DIB Interface Signals				
CLK	29	I	I	Clock. Provides input clock, AC coupled to the LSD. Connect to DIB transformer secondary winding undotted terminal through C926 (closest to the CX20493), R932, then R922 in series. Connect the R932 and R922 node to LSD AGND pin through full-wave rectifier BR908. Place C926 near pin 29 (CLK) and place R932 near C926.
DIB_P	30	I/O	I/O	Data and Control Positive. Connect to DIBDAT_P through R924 in series with C922. DIB_P and DIB_N signals are differential and half-duplex bidirectional.
DIB_N	31	I/O	I/O	Data and Control Negative. Connect to DIBDAT_N through R926 in series with C924. DIB_P and DIB_N signals are differential and half-duplex bidirectional.

Table 3-12. CX20493 LSD Pin Signal Definitions (Continued)

Label	Pin	I/O	I/O Type	Signal Name/Description
TIP and RING Interface				
RAC1 TAC1	24 23	I I	Ia Ia	RING1 AC Coupled and TIP1 AC Coupled. AC-coupled voltage from telephone line used to detect ring. Connect RAC1 to the diode bridge AC node (RING) through R902 (connects to pin 24) and C902 in series. Connect TAC1 to the diode bridge AC node (TIP) through R904 (connects to pin 23) and C904 in series.
RAC2 TAC2	22 21	I I	Ia Ia	RING2 AC Coupled and TIP2 AC Coupled. AC-coupled voltage from telephone line used to optionally detect signal while on-hook. Connect RAC2 to the diode bridge AC node (RING) through R948 (connects to pin 22) and C948. Leave open if not used. Connect TAC2 to the diode bridge AC node (TIP) through R946 (connects to pin 21) and C946. Leave open if not used.
EIC	12	O	Oa	Electronic Inductor Capacitor Switch. Internally switched to TRDC when pulse dialing. Connect to AGND_LSD through C958.
TRDC	13	I	Ia	TIP and RING DC Measurement. Input on-hook voltage (from a resistive divider). Used internally to extract TIP and RING DC voltage and Line Polarity Reversal (LPR) information. R906 and C918 must be placed very close to pin 13 (TRDC).
EIO	20	O	Oa	Electronic Inductor Output. Calculated voltage is applied to this output to control off-hook and DC VI mask operation. Connect to base of Q902.
DC_GND	1, 9, 16, 18, 25	GND	AGND_LSD	LSD Electronic Inductor Ground. Connect to AGND_LSD and to the GND_LSD/AGND_LSD tie point (U908).
EIF	19	I	Ia	Electronic Inductor Feedback. Connect to emitter of Q904 through R968.
RXI	10	I	Ia	Receive Analog Input. Receiver operational amplifier inverting input. AC coupled to the Bridge CC node through R910 (connects to pin 10) and C912 in series. R910 and C912 must be placed very close to pin 10. The length of the PCB trace connecting R910 to the RXI pin must be kept at an absolute minimum.
RBias	6	I	Ia	Receiver Bias. Connect to AGND_LSD through R954, which must be placed close to pin 6.
VZ	11	I	Ia	Virtual Impedance. Input signal used to provide line complex impedance matching for worldwide countries. AC coupled to Bridge CC node through R908 (connects to pin 11) and C910 in series. R908 and C910 must be placed very close to pin 11. The length of the PCB trace connecting R908 to the VZ pin must be kept at an absolute minimum.
TXO	15	O	Oa	Transmit Output. Outputs transmit signal and impedance matching signal; connect to base of transmitter transistor Q906.
TXF	14	I	Ia	Transmit Feedback. Connect to emitter of transmitter transistor Q906.
Not Used				
GPIO1	32	I/O	It/Ot12	General Purpose I/O 1. Leave open if not used.
NC	17			No Connect. No internal connection. Leave open.
Notes:				
1. I/O types*:				
Ia Analog input				
It Digital input, TTL-compatible				
Oa Analog output				
Ot12 Digital output, TTL-compatible, 12 mA, $Z_{INTERNAL} = 32 \Omega$				
AGND_LSD Isolated LSD Analog Ground				
GND_LSD Isolated LSD Digital Ground				
*See CX20493 LSD GPIO DC Electrical Characteristics (Table 3-13).				
2. Refer to applicable reference design for exact component placement and values.				

3.6 CX20493 LSD GPIO DC Electrical Characteristics

CX20493 LSD GPIO DC electrical characteristics are specified in Table 3-13.

CX20493 LSD AVdd DC electrical characteristics are listed in Table 3-14.

Table 3-13. CX20493 LSD GPIO DC Electrical Characteristics

Parameter	Symbol	Min.	Typ.	Max.	Units	Test Conditions
Input Voltage	V_{IN}	-0.30	–	3.465	V	DVdd = +3.465V
Input Voltage Low	V_{IL}	–	–	1.0	V	
Input Voltage High	V_{IH}	1.6	–	–	V	
Output Voltage Low	V_{OL}	0	–	0.33	V	
Output Voltage High	V_{OH}	2.97	–	–	V	
Input Leakage Current	–	-10	–	10	μ A	
Output Leakage Current (High Impedance)	–	-10	–	10	μ A	
GPIO Output Sink Current at 0.33 V maximum	–	2.4	–	-	mA	
GPIO Output Source Current at 2.97 V minimum	–	2.4	–	-	mA	
GPIO Rise Time/Fall Time		20		100	ns	
Test Conditions unless otherwise stated: DVdd = +3.3V +5%; TA = 0°C to 70°C; external load = 50 pF						

Table 3-14. CX20493 AVdd DC Electrical Characteristics

PWR+ Input	AVdd Output
+3.4V < PWR+ < +4.5V	+3.3V \pm 5%
+3.2V < PWR+ < +3.39V	3.05V < AVdd < 3.24V
See PWR+, AVdd, and DVdd descriptions in Table 3-10.	

3.7 Electrical and Environmental Specifications

3.7.1 Operating Conditions, Absolute Maximum Ratings, and Power Requirements

The operating conditions are specified in Table 3-15.

The absolute maximum ratings are listed in Table 3-16.

The current and power requirements are listed in Table 3-17.

Table 3-15. Operating Conditions

Parameter	Symbol	Limits	Units
Supply Voltage	VDD	+3.0 to +3.6	VDC
Operating Ambient Temperature	T _A	0 to +70	°C

Table 3-16. Absolute Maximum Ratings

Parameter	Symbol	Limits	Units
Supply Voltage	VDD	-0.5 to +4.0	VDC
Input Voltage	V _{IN}	-0.5 to VDD + 0.5	VDC
Storage Temperature Range	T _{STG}	-55 to +125	°C
Voltage Applied to Outputs in High Impedance (Off) State	V _{HZ}	-0.5 to +5.5	VDC
DC Input Clamp Current	I _{IK}	±20	mA
DC Output Clamp Current	I _{OK}	±20	mA
Static Discharge Voltage (25°C)	V _{ESD}	±2500	VDC
Latch-up Current (25°C)	I _{TRIG}	±400	mA

Handling CMOS Devices

The device contains circuitry to protect the inputs against damage due to high static voltages. However, it is advised that normal precautions be taken to avoid application of any voltage higher than maximum rated voltage.

An unterminated input can acquire unpredictable voltages through coupling with stray capacitance and internal cross talk. Both power dissipation and device noise immunity degrades. Therefore, all inputs should be connected to an appropriate supply voltage.

Input signals should never exceed the voltage range from -0.5V to (VDD + 0.5) V. This prevents forward biasing the input protection diodes and possibly entering a latch up mode due to high current transients.

Table 3-17. Current and Power Requirements

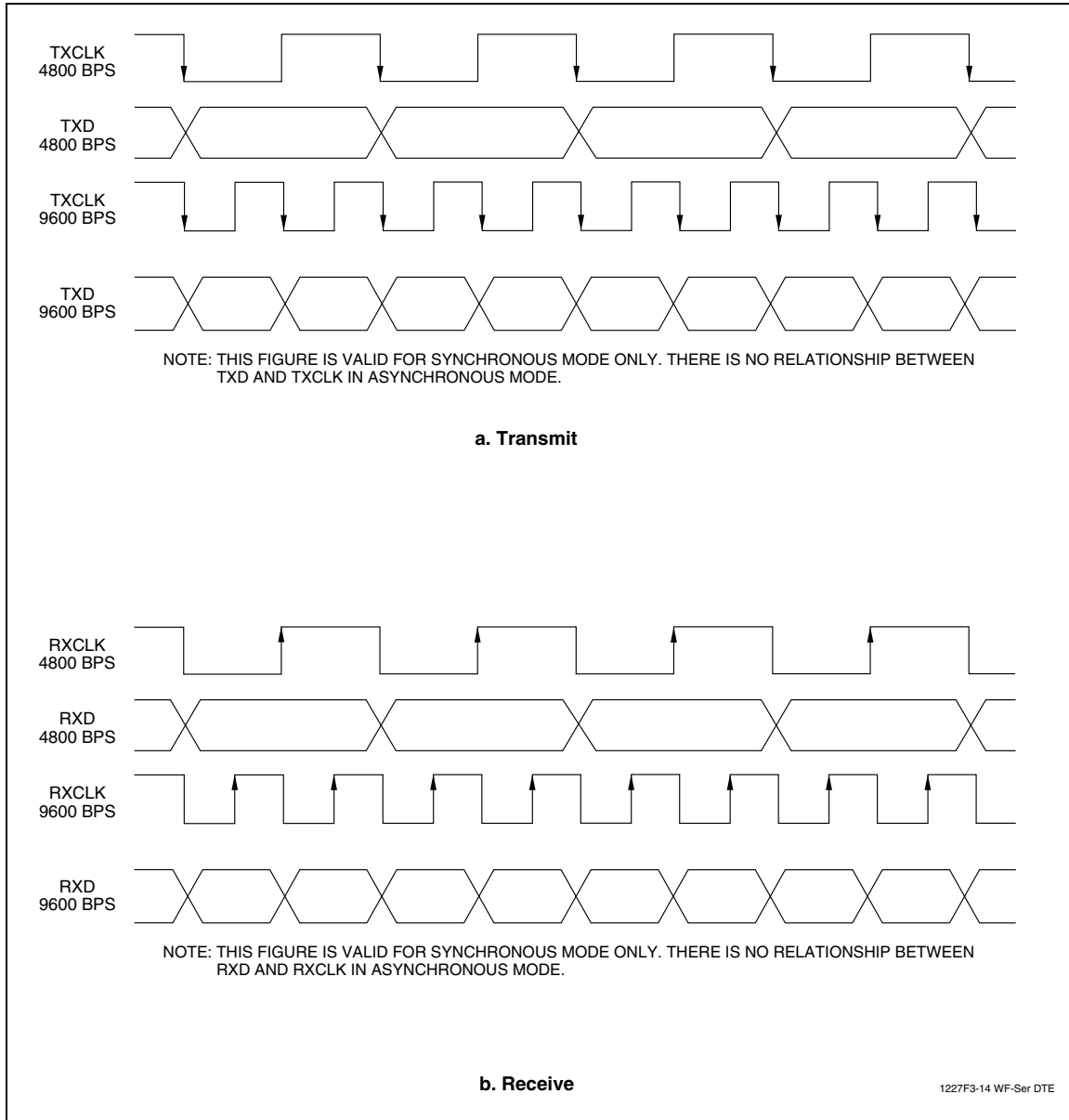
Mode	Typical Current (I _{typ}) (mA)	Maximum Current (I _{max}) (mA)	Typical Power (P _{typ}) (mW)	Maximum Power (P _{max}) (mW)
Normal Mode: On-hook, idle, waiting for ring	125	140	413	504
Normal Mode: Off-hook, normal data connection	130	145	429	522
Idle Mode	28	33	92	119
Sleep Mode	18	23	60	83
Stop Mode	10	13	33	47
Notes:				
1. Operating voltage: VDD = +3.3V ± 0.3V.				
2. Test conditions: VDD = +3.3V for typical values; VDD = +3.6V for maximum values.				
3. Input Ripple ≤ 0.1 V _{peak-peak} .				
4. Typical power (P _{typ}) computed from I _{typ} : P _{typ} = I _{typ} * 3.3V; Maximum power (P _{max}) computed from I _{max} : P _{max} = I _{max} * 3.6V.				

3.7.2 Interface and Timing Waveforms

3.7.2.1 Serial DTE Interface

The serial DTE interface waveforms for 4800 and 9600 bps are illustrated in Figure 3-11.

Figure 3-11. Waveforms - Serial DTE Interface



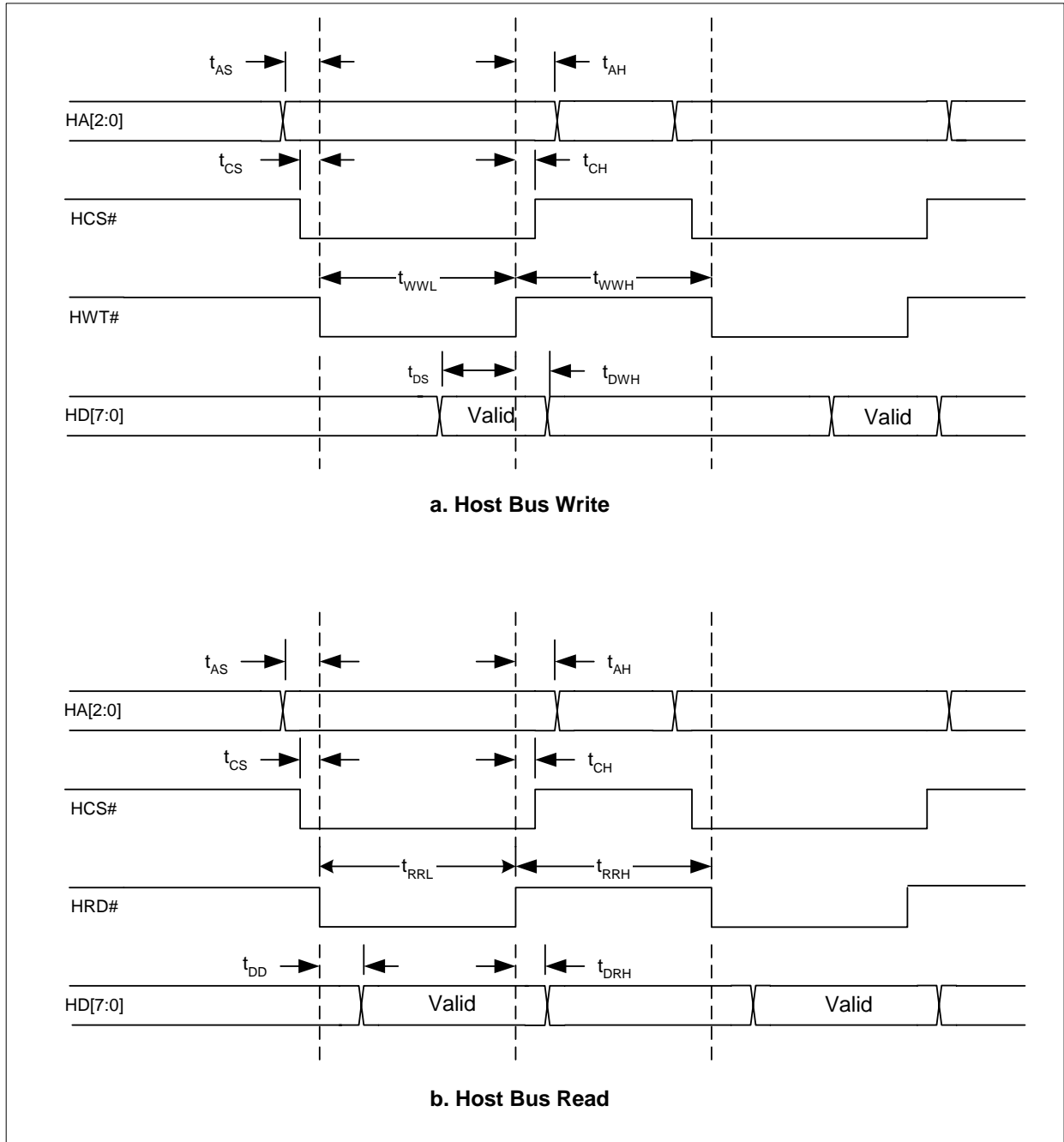
3.7.2.2 Parallel Host Bus Interface

The parallel host bus timing is listed in Table 3-18 and illustrated in Figure 3-12.

Table 3-18. Timing - Parallel Host Bus

Symbol	Parameter	Min	Max	Units
WRITE				
t_{AS}	Address Setup	4.5	–	ns
t_{AH}	Address Hold	4.5	–	ns
t_{CS}	Chip Select Setup	0	–	ns
t_{CH}	Chip Select Hold	0	–	ns
t_{WWH}	Write Pulse Width High	51		ns
t_{WWL}	Write Pulse Width Low	51		ns
t_{DS}	Write Data Setup	4.5	–	ns
t_{DWH}	Write Data Hold	4.5	–	ns
READ				
t_{AS}	Address Setup	4.5	–	ns
t_{AH}	Address Hold	4.5	–	ns
t_{CS}	Chip Select Setup	0	–	ns
t_{CH}	Chip Select Hold	0	–	ns
t_{RRH}	Read Pulse Width High	51		ns
t_{RRL}	Read Pulse Width Low	51		ns
t_{DD}	Read Data Delay	–	9	ns
t_{DRH}	Read Data Hold	0	–	ns

Figure 3-12. Waveforms - Parallel Host Bus

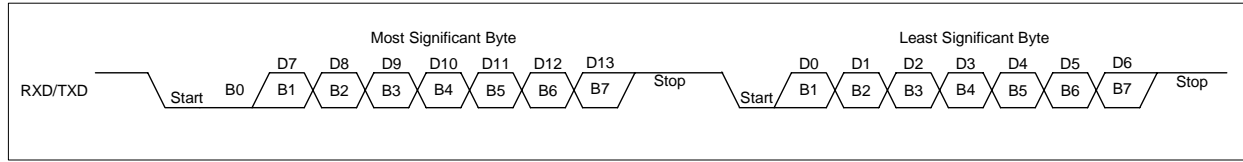


102287_009

3.7.2.3 Voice Pass-Through Interface – 14-Bit PCM

The Voice Pass-Through 14-bit PCM receive and transmit serial interface waveforms are illustrated in Figure 3-13.

Figure 3-13. Waveforms – 14-Bit PCM Receive and Transmit Timing



102287_010

3.8 Crystal and Clock Specifications

Crystal specifications are listed in Table 3-19. Clock specifications are listed in Table 3-20.

Table 3-19. Crystal Specifications

Characteristic	Value
Frequency	28.224 or 27.000 MHz nominal
Calibration Tolerance	±50 ppm at 25°C (C _L = 16.5 and 19.5 pF)
Frequency Stability vs. Temperature	±35 ppm (0°C to 70°C)
Frequency Stability vs. Aging	±20 ppm/5 years
Oscillation Mode	Fundamental
Calibration Mode	Parallel resonant
Load Capacitance, C _L	18 pF nom.
Shunt Capacitance, C _O	7 pF max.
Series Resistance, R ₁	35-60 Ω max. @20 nW drive level
Drive Level	100 μW correlation; 500 μW max.
Operating Temperature	0°C to 70°C
Storage Temperature	-40°C to 85°C

Table 3-20. Clock Specifications

Characteristic	Value
Type	Square wave
Frequency	28.224 or 27.000 MHz nominal
Level	3.3 V _{p-p} ± 0.3 V zero offset
Duty Cycle	50 ± 10 %
Stability	±50 ppm

This page is intentionally blank.

4. Parallel Host Interface

The modem supports a 16550A interface in parallel interface versions. The 16550A interface can operate in FIFO mode or non-FIFO mode. Non-FIFO mode is the same as 16450 interface operation. FIFO mode unique operations are identified.

4.1 Overview

The parallel interface registers and the corresponding bit assignments are shown in Table 4-1.

The modem emulates the 16450/16550A interface and includes both a 16-byte receiver data first-in first-out buffer (RX FIFO) and a 16-byte transmit data first-in first-out buffer (TX FIFO). When FIFO mode is selected in the FIFO Control Register (FCR0 = 1), both FIFOs are operative. Furthermore, when FIFO mode is selected, DMA operation of the FIFO can also be selected (FCR3 = 1). When FIFO mode is not selected, operation is restricted to 16450 interface operation.

The received data is read by the host from the Receiver Buffer (RX Buffer). The RX Buffer corresponds to the Receiver Buffer Register in a 16550A device. In FIFO mode, the RX FIFO operates transparently behind the RX Buffer. Interface operation is described with reference to the RX Buffer in both FIFO and non-FIFO modes.

The transmit data is loaded by the host into the Transmit Buffer (TX Buffer). The TX Buffer corresponds to the Transmit Holding Register in a 16550A device. In FIFO mode, the TX FIFO operates transparently behind the TX Buffer. Interface operation is described with reference to the TX Buffer in both FIFO and non-FIFO modes.

Table 4-1. Parallel Interface Registers

Register No.	Register Name	Bit No.							
		7	6	5	4	3	2	1	0
7	Scratch Register (SCR)	Scratch Register							
6	Modem Status Register (MSR)	Data Carrier Detect (DCD)	Ring Indicator (RI)	Data Set Ready (DSR)	Clear to Send (CTS)	Delta Data Carrier Detect (DDCD)	Trailing Edge of Ring Indicator (TERI)	Delta Data Set Ready (DDSR)	Delta Clear to Send (DCTS)
5	Line Status Register (LSR)	RX FIFO Error	Transmitter Empty (TEMT)	Transmitter Buffer Register Empty (THRE)	Break Interrupt (BI)	Framing Error (FE)	Parity Error (PE)	Overrun Error (OE)	Receiver Data Ready (DR)
4	Modem Control Register (MCR)	0	0	0	Local Loopback	Out 2	Out 1	Request to Send (RTS)	Data Terminal Ready (DTR)
3	Line Control Register (LCR)	Divisor Latch Access Bit (DLAB)	Set Break	Stick Parity	Even Parity Select (EPS)	Parity Enable (PEN)	Number of Stop Bits (STB)	Word Length Select Bit 1 (WLS1)	Word Length Select Bit 0 (WLS0)
2	Interrupt Identify Register (IIR) (Read Only)	FIFOs Enabled	FIFOs Enabled	0	0	Pending Interrupt ID Bit 2	Pending Interrupt ID Bit 1	Pending Interrupt ID Bit 0	"0" if Interrupt Pending
2	FIFO Control Register (FCR) (Write Only)	Receiver Trigger MSB	Receiver Trigger LSB	Reserved	Reserved	DMA Mode Select	TX FIFO Reset	RX FIFO Reset	FIFO Enable
1 (DLAB = 0)	Interrupt Enable Register (IER)	0	0	0	0	Enable Modem Status Interrupt (EDSSI)	Enable Receiver Line Status Interrupt (ELSI)	Enable Transmitter Holding Register Empty Interrupt (ETBEI)	Enable Received Data Available Interrupt (ERBFI)
0 (DLAB = 0)	Transmitter Buffer Register (THR)	Transmitter FIFO Buffer Register (Write Only)							
0 (DLAB = 0)	Receiver Buffer Register (RBR)	Receiver FIFO Buffer Register (Read Only)							
1 (DLAB = 1)	Divisor Latch MSB Register (DLM)	Divisor Latch MSB							
0 (DLAB = 1)	Divisor Latch LSB Register (DLL)	Divisor Latch LSB							

4.2 Register Signal Definitions

4.2.1 IER - Interrupt Enable Register (Addr = 1, DLAB = 0)

The IER enables five types of interrupts that can separately assert the HINT output signal (Table 4-2). A selected interrupt can be enabled by setting the corresponding enable bit to a 1, or disabled by setting the corresponding enable bit to a 0. Disabling an interrupt in the IER prohibits setting the corresponding indication in the IIR and assertion of HINT. Disabling all interrupts (resetting IER0 - IER3 to a 0) inhibits setting of any Interrupt Identifier Register (IIR) bits and inhibits assertion of the HINT output. All other system functions operate normally, including the setting of the Line Status Register (LSR) and the Modem Status Register (MSR).

Bits 7-4 Not used.

Always 0.

Bit 3 Enable Modem Status Interrupt (EDSSI).

This bit, when a 1, enables assertion of the HINT output whenever the Delta CTS (MSR0), Delta DSR (MSR1), Delta TER (MSR2), or Delta DCD (MSR3) bit in the Modem Status Register (MSR) is a 1. This bit, when a 0, disables assertion of HINT due to setting of any of these four MSR bits.

Bit 2 Enable Receiver Line Status Interrupt (ELSI).

This bit, when a 1, enables assertion of the HINT output whenever the Overrun Error (LSR1), Parity Error (LSR2), Framing Error (LSR3), or Break Interrupt (LSR4) receiver status bit in the Line Status Register (LSR) changes state. This bit, when a 0, disables assertion of HINT due to change of the receiver LSR bits 1-4.

Bit 1 Enable Transmitter Holding Register Empty Interrupt (ETBEI).

This bit, when a 1, enables assertion of the HINT output when the Transmitter Empty bit in the Line Status Register (LSR5) is a 1. This bit, when a 0, disables assertion of HINT due to LSR5.

Bit 0 Enable Receiver Data Available Interrupt (ERBFI) and Character Timeout in FIFO Mode.

This bit, when a 1, enables assertion of the HINT output when the Receiver Data Ready bit in the Line Status Register (LSR0) is a 1 or character timeout occurs in the FIFO mode. This bit, when a 0, disables assertion of HINT due to the LSR0 or character timeout.

4.2.2 FCR - FIFO Control Register (Addr = 2, Write Only)

The FCR is a write-only register used to enable FIFO mode, clear the RX FIFO and TX FIFO, enable DMA mode, and set the RX FIFO trigger level.

Bits 7-6 RX FIFO Trigger Level.

FCR7 and FCR6 set the trigger level for the RX FIFO (Receiver Data Available) interrupt.

FCR7	FCR6	RX FIFO Trigger Level (Bytes)
0	0	01
0	1	04
1	0	08
1	1	14

Bits 5-4 Not used.

Bit 3 DMA Mode Select.

When FIFO mode is selected (FCR0 = 1), FCR3 selects non-DMA operation (FCR3 = 0) or DMA operation (FCR3 = 1). When FIFO mode is not selected (FCR0 = 0), this bit is not used (the modem operates in non-DMA mode in 16450 operation).

DMA operation in FIFO mode.

RXRDY will be asserted when the number of characters in the RX FIFO is equal to or greater than the value in the RX FIFO Trigger Level (IIR0-IIR3 = 4h) or the received character timeout (IIR0-IIR3 = Ch) has occurred. RXRDY will go inactive when there are no more characters in the RX FIFO.

TXRDY will be asserted when there are one or more empty (unfilled) locations in the TX FIFO. TXRDY will go inactive when the TX FIFO is completely full.

Non-DMA operation in FIFO mode.

RXRDY will be asserted when there are one or more characters in the RX FIFO. RXRDY will go inactive when there are no more characters in the RX FIFO.

TXRDY will be asserted when there are no characters in the TX FIFO. TXRDY will go inactive when the first character is loaded into the TX FIFO Buffer.

Bit 2 TX FIFO Reset.

When FCR2 is a 1, all bytes in the TX FIFO are cleared. This bit is cleared automatically by the modem.

Bit 1 RX FIFO Reset.

When FCR1 is a 1, all bytes in the RX FIFO are cleared. This bit is cleared automatically by the modem.

Bit 0 FIFO Enable.

When FCR0 is a 0, 16450 mode is selected and all bits are cleared in both FIFOs. When FCR0 is a 1, FIFO mode (16550A mode) is selected and both FIFOs are enabled. FCR0 must be a 1 when other bits in the FCR are written or they will not be acted upon.

4.2.3 IIR - Interrupt Identifier Register (Addr = 2)

The Interrupt Identifier Register (IIR) identifies the existence and type of up to five prioritized pending interrupts. Four priority levels are set to assist interrupt processing in the host. The four levels, in order of decreasing priority, are: Highest: Receiver Line Status, 2: Receiver Data Available or Receiver Character Timeout, 3: TX Buffer Empty, and 4: Modem Status.

When the IIR is accessed, the modem freezes all interrupts and indicates the highest priority interrupt pending to the host. Any change occurring in interrupt conditions are not indicated until this access is complete.

Bits 7-6 FIFO Mode.

These two bits copy FCR0.

Bits 5-4 Not Used.

Always 0.

Bits 3-1 Highest Priority Pending Interrupt.

These three bits identify the highest priority pending interrupt (Table 4-2). Bit 3 is applicable only when FIFO mode is selected, otherwise bit 3 is a 0.

Bit 0 Interrupt Pending.

When this bit is a 0, an interrupt is pending; IIR bits 1-3 can be used to determine the source of the interrupt. When this bit is a 1, an interrupt is not pending.

Table 4-2. Interrupt Sources and Reset Control

Interrupt Identification Register					Interrupt Set and Reset Functions		
Bit 3 ¹	Bit 2	Bit 1	Bit 0	Priority Level	Interrupt Type	Interrupt Source	Interrupt Reset Control
0	0	0	1	—	None	None	—
0	1	1	0	Highest	Receiver Line Status	Overrun Error OE (LSR1), Parity Error (PE) (LSR2), Framing Error (FE) (LSR3), or Break Interrupt (BI) (LSR4)	Reading the LSR
0	1	0	0	2	Received Data Available	Received Data Available (LSR0) or RX FIFO Trigger Level (FCR6-FCR7) Reached ¹	Reading the RX Buffer or the RX FIFO drops below the Trigger Level
1	1	0	0	3	Character Time-out Indication ¹	The RX FIFO contains at least 1 character and no characters have been removed from or input to the RX FIFO during the last 4 character times.	Reading the RX Buffer
0	0	1	0	4	TX Buffer Empty	TX Buffer Empty	Reading the IIR or writing to the TX Buffer
0	0	0	0	5	Modem Status	Delta CTS (DCTS) (MSR0), Delta DSR (DDSR) (MSR1), Trailing Edge Ring Indicator (TERI) (MSR3), or Delta DCD (DCD) (MSR4)	Reading the MSR
Notes:							
1. FIFO Mode only.							

4.2.4 LCR - Line Control Register (Addr = 3)

The Line Control Register (LCR) specifies the format of the asynchronous data communications exchange.

Bit 7 Divisor Latch Access Bit (DLAB).

This bit must be set to a 1 to access the Divisor latch registers during a read or write operation. It must be reset to a 0 to access the Receiver Buffer, the Transmitter Buffer, or the Interrupt Enable Register.

Bit 6 Set Break.

When bit 6 is a 1, the transmit data is forced to the break condition, i.e., space (0) is sent. When bit 6 is a 0, break is not sent. The Set Break bit acts only on the transmit data and has no effect on the serial in logic.

Bit 5 Stick Parity.

When parity is enabled (LCR3 = 1) and stick parity is selected (LCR5 = 1), the parity bit is transmitted and checked by the receiver as a 0 if even parity is selected (LCR4 = 1) or as a 1 if odd parity is selected (LCR4 = 0). When stick parity is not selected (LCR3 = 0), parity is transmit and checked as determined by the LCR3 and LCR4 bits.

Bit 4 Even Parity Select (EPS).

When parity is enabled (LCR3 = 1) and stick parity is not selected (LCR5 = 0), the number of 1s transmitted or checked by the receiver in the data word bits and parity bit is either even (LCR4 = 1) or odd (LCR4 = 0).

Bit 3 Enable Parity (PEN).

When bit 3 is a 1, a parity bit is generated in the serial out (transmit) data stream and checked in the serial in (receive) data stream as determined by the LCR 4 and LCR5 bits. The parity bit is located between the last data bit and the first stop bit.

Bit 2 Number of Stop Bits (STB).

This bit specifies the number of stop bits in each serial out character. If bit 2 is a 0, one stop bit is generated regardless of word length. If bit 2 is a 1 and 5-bit word length is selected, one and one-half stop bits are generated. If bit 2 is a 1 and a 6-, 7-, or 8-bit word length is selected, two stop bits are generated. The serial in logic checks the first stop bit only, regardless of the number of stop bits selected.

Bits 1-0 Word Length Select (WLS0 and WLS1).

These two bits specify the number of bits in each serial in or serial out character. The encoding of bits 0 and 1 is:

Bit 1	Bit 0	Word Length
0	0	5 Bits
0	1	6 Bits
1	0	7 Bits
1	1	8 Bits

4.2.5 MCR - Modem Control Register (Addr = 4)

The Modem Control Register (MCR) controls the interface with the modem or data set.

Bit 7-5 Not used.

Always 0.

Bit 4 Local Loopback.

When this bit is set to a 1, the diagnostic mode is selected and the following occurs:

Data written to the Transmit Buffer is looped back to the Receiver Buffer.

The DTS (MCR0), RTS (MCR1), Out1 (MCR2), and Out2 (MCR3) modem control register bits are internally connected to the DSR (MSR5), CTS (MSR4), RI (MSR6), and DCD (MSR7) modem status register bits, respectively.

Bit 3 Output 2.

When this bit is a 1, HINT is enabled. When this bit is a 0, HINT is in the high impedance state.

Bit 2 Output 1.

This bit is used in local loopback (see MCR4).

Bit 1 Request to Send (RTS).

This bit controls the Request to Send (RTS) function. When this bit is a 1, RTS is on. When this bit is a 0, RTS is off.

Bit 0 Data Terminal Ready (DTR).

This bit controls the Data Terminal Ready (DTR) function. When this bit is a 1, DTR is on. When this bit is a 0, DTR is off.

4.2.6 LSR - Line Status Register (Addr = 5)

This 8-bit register provides status information to the host concerning data transfer.

Bit 7 RX FIFO Error.

In the 16450 mode, this bit is not used and is always 0.

In the FIFO mode, this bit is set if there are one or more characters in the RX FIFO with a parity error, framing error, or break indication detected. This bit is reset to a 0 when the host reads the LSR and none of the above conditions exist in the RX FIFO.

Bit 6 Transmitter Empty (TEMT).

This bit is set to a 1 whenever the TX Buffer (THR) and equivalent of the Transmitter Shift Register (TSR) are both empty. It is reset to a 0 whenever either the THR or the equivalent of the TSR contains a character.

In the FIFO mode, this bit is set to a 1 when ever the TX FIFO and the equivalent of the TSR are both empty.

Bit 5 Transmitter Holding Register Empty (THRE) [TX Buffer Empty].

This bit, when set, indicates that the TX Buffer is empty and the modem can accept a new character for transmission. In addition, this bit causes the modem to issue an interrupt to the host when the Transmit Holding Register Empty Interrupt Enable bit (IIR1) is set to 1. The THRE bit is set to a 1 when a character is transferred from the TX Buffer. The bit is reset to 0 when a byte is written into the TX Buffer by the host.

In the FIFO mode, this bit is set when the TX FIFO is empty; it is cleared when at least one byte is in the TX FIFO.

Bit 4 Break Interrupt (BI).

This bit is set to a 1 whenever the received data input is a space (logic 0) for longer than two full word lengths plus 3 bits. The BI bit is reset when the host reads the LSR.

Bit 3 Framing Error (FE).

This bit indicates that the received character did not have a valid stop bit. The FE bit is set to a 1 whenever the stop bit following the last data bit or parity bit is detected as a logic 0 (space). The FE bit is reset to a 0 when the host reads the LSR.

In the FIFO mode, the error indication is associated with the particular character in the FIFO it applies to; the FE bit is set to a 1 when this character is loaded into the RX Buffer.

Bit 2 Parity Error (PE).

This bit indicates that the received data character in the RX Buffer does not have the correct even or odd parity, as selected by the Even Parity Select bit (LCR4) and the Stick Parity bit (LCR5). The PE bit is reset to a 0 when the host reads the LSR.

In the FIFO mode, the error indication is associated with the particular character in the it applies to; the PE bit is set to a 1 when this character is loaded into the RX Buffer.

Bit 1 Overrun Error (OE).

This bit is set to a 1 whenever received data is loaded into the RX Buffer before the host has read the previous data from the RX Buffer. The OE bit is reset to a 0 when the host reads the LSR.

In the FIFO mode, if data continues to fill beyond the trigger level, an overrun condition will occur only if the RX FIFO is full and the next character has been completely received.

Bit 0 Receiver Data Ready (DR).

This bit is set to a 1 whenever a complete incoming character has been received and has been transferred into the RX Buffer. The DR bit is reset to a 0 when the host reads the RX Buffer.

In the FIFO mode, the DR bit is set when the number of received data bytes in the RX FIFO equals or exceeds the trigger level specified in FCR0-FCR1.

4.2.7 **MSR - Modem Status Register (Addr = 6)**

The Modem Status Register (MSR) reports current state and change information of the modem. Bits 4-7 supply current state and bits 0-3 supply change information. The change bits are set to a 1 whenever a control input from the modem changes state from the last MSR read by the host. Bits 0-3 are reset to 0 when the host reads the MSR or upon reset.

Whenever bits 0, 1, 2, or 3 are set to a 1, a Modem Status Interrupt (IIR0-IIR3 = 0) is generated.

Bit 7 Data Carrier Detect (DCD).

This bit indicates the logic state of the DCD# (RLSD#) output. If Loopback is selected (MCR4 = 1), this bit reflects the state of the Out2 bit in the MCR (MCR3).

Bit 6 Ring Indicator (RI).

This bit indicates the logic state of the RI# output. If Loopback is selected (MCR4 = 1), this bit reflects the state of the Out1 bit in the MCR (MCR2).

Bit 5 Data Set Ready (DSR).

This bit indicates the logic state of the DSR# output. If Loopback is selected (MCR4 = 1), this bit reflects the state of the DTR bit in the MCR (MCR0).

Bit 4 Clear to Send (CTS).

This bit indicates the logic state of the CTS# output. If Loopback is selected (MCR4 = 1), this bit reflects the state of the RTS bit in the MCR (MCR1).

Bit 3 Delta Data Carrier Detect (DDCD).

This bit is set to a 1 when the DCD bit changes state since the MSR was last read by the host.

Bit 2 Trailing Edge of Ring Indicator (TERI).

This bit is set to a 1 when the RI bit changes from a 1 to a 0 state since the MSR was last read by the host.

Bit 1 Delta Data Set Ready (DDSR).

This bit is set to a 1 when the DSR bit has changed since the MSR was last read by the host.

Bit 0 Delta Clear to Send (DCTS).

This bit is set to a 1 when the CTS bit has changed since the MSR was last read by the host.

4.2.8 **RBR - RX Buffer (Receiver Buffer Register) (Addr = 0, DLAB = 0)**

The RX Buffer (RBR) is a read-only register at location 0 (with DLAB = 0). Bit 0 is the least significant bit of the data, and is the first bit received.

4.2.9 **THR - TX Buffer (Transmitter Holding Register) (Addr = 0, DLAB = 0)**

The TX Buffer (THR) is a write-only register at address 0 when DLAB = 0. Bit 0 is the least significant bit and the first bit sent.

4.2.10 Divisor Registers (Addr = 0 and 1, DLAB = 1)

The Divisor Latch LS (least significant byte) and Divisor Latch MS (most significant byte) are two read-write registers at locations 0 and 1 when DLAB = 1, respectively.

The baud rate is selected by loading each divisor latch with the appropriate hex value.

Programmable values corresponding to the desired baud rate are listed in Table 4-3.

1. SCR - Scratch Register (Addr = 7)

The Scratchpad Register is a read-write register at location 7. This register is not used by the modem and can be used by the host for temporary storage.

Table 4-3. Programmable Baud Rates

Divisor Latch (Hex)		Divisor (Decimal)	Baud Rate
MS	LS		
06	00	1536	75
04	17	1047	110
03	00	768	150
01	80	384	300
00	C0	192	600
00	60	96	1200
00	30	48	2400
00	18	24	4800
00	0C	12	9600
00	06	6	19200
00	04	4	28800
00	03	3	38400
00	02	2	57600
00	01	1	115200
00	00	NA	230400

4.3 Receiver FIFO Interrupt Operation

4.3.1 Receiver Data Available Interrupt

When the FIFO mode is enabled (FCR0 = 1) and receiver interrupt (RX Data Available) is enabled (IER0 = 1), receiver interrupt operation is as follows:

The Receiver Data Available Flag (LSR0) is set as soon as a received data character is available in the RX FIFO. LSR0 is cleared when the RX FIFO is empty.

The Receiver Data Available interrupt code (IIR0-IIR4 = 4h) is set whenever the number of received data bytes in the RX FIFO reaches the trigger level specified by FCR6-FCR7 bits; it is cleared whenever the number of received data bytes in the RX FIFO drops below the trigger level specified by FCR6-FCR7 bits.

The HINT interrupt is asserted whenever the number of received data bytes in the RX FIFO reaches the trigger level specified by FCR6-FCR7 bits. HINT interrupt is de-asserted when the number of received data bytes in the RX FIFO drops below the trigger level specified by FCR6-FCR7 bits.

4.3.2 Receiver Character Timeout Interrupts

When the FIFO mode is enabled (FCR0 = 1) and receiver interrupt (Receiver Data Available) is enabled (IER0 = 1), receiver character timeout interrupt operation is as follows:

1. A Receiver character timeout interrupt code (IIR0-IIR3 = Ch) is set if at least one received character is in the RX FIFO, the most recent received serial character was longer than four continuous character times ago (if 2 stop bits are specified, the second stop bit is included in this time period), and the most recent host read of the RX FIFO was longer than four continuous character times ago.

4.4 Transmitter FIFO Interrupt Operation

4.4.1 Transmitter Empty Interrupt

When the FIFO mode is enabled (FCR0 = 1) and transmitter interrupt (TX Buffer Empty) is enabled (IER0 = 1), transmitter interrupt operation is as follows:

The TX Buffer Empty interrupt code (IIR0-IIR3 = 2h) will occur when the TX Buffer is empty; it is cleared when the TX Buffer is written to (1 to 16 characters) or the IIR is read.

The TX Buffer Empty indications will be delayed 1 character time minus the last stop bit time whenever the following occur: THRE = 1 and there have not been at least two bytes at the same time in the TX FIFO Buffer since the last setting of THRE was set. The first transmitter interrupt after setting FCR0 will be immediate.

This page is intentionally blank.

5. Package Dimensions

The 28-pin TSSOP package dimensions are shown in Figure 5-1.

The 38-pin TSSOP package dimensions are shown in Figure 5-2.

The 28-pin QFN package dimensions are shown in Figure 5-3.

The 32-pin LQFP package dimensions are shown in. Figure 5-4.

Figure 5-1. Package Dimensions - 28-Pin TSSOP

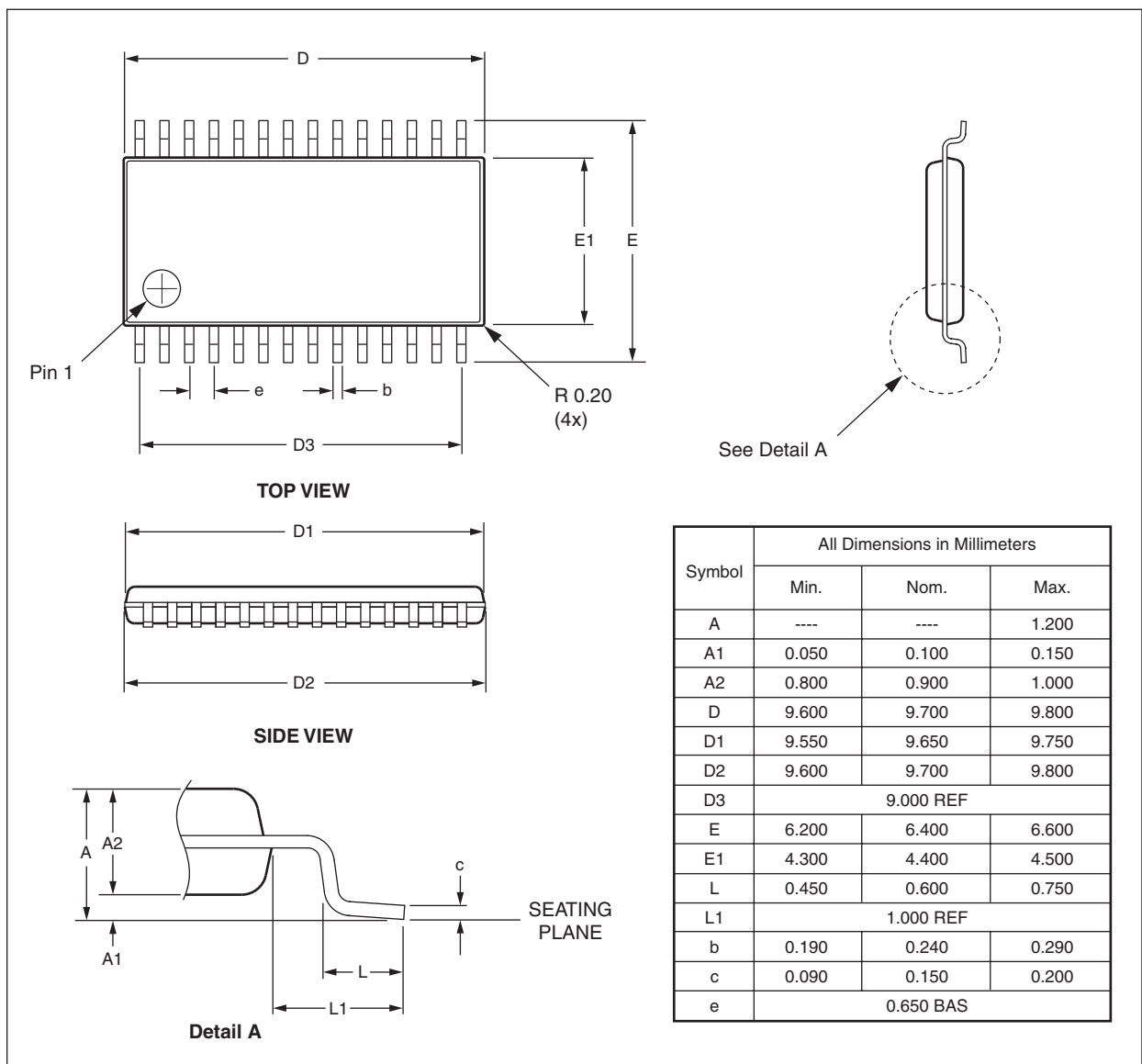
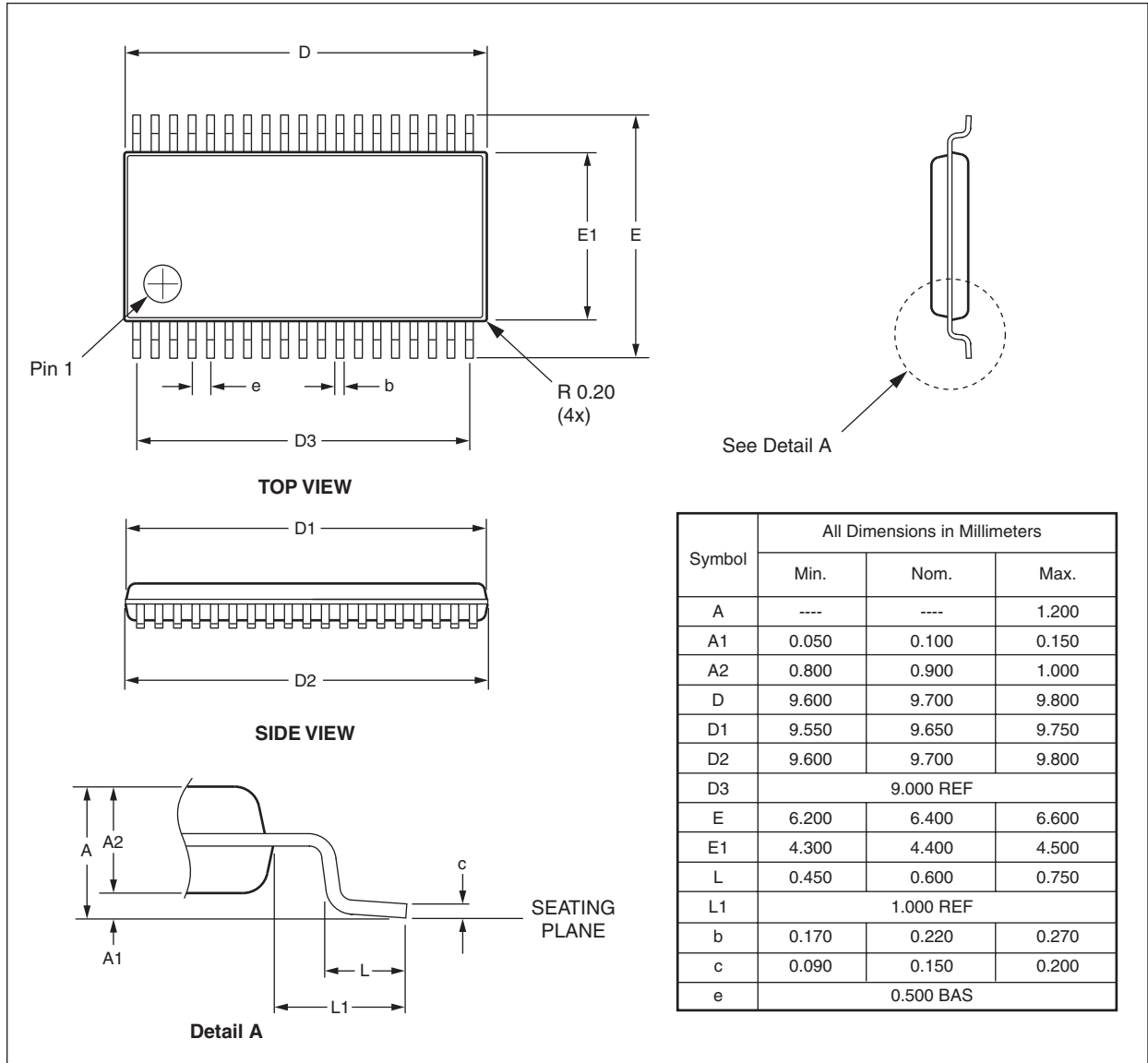
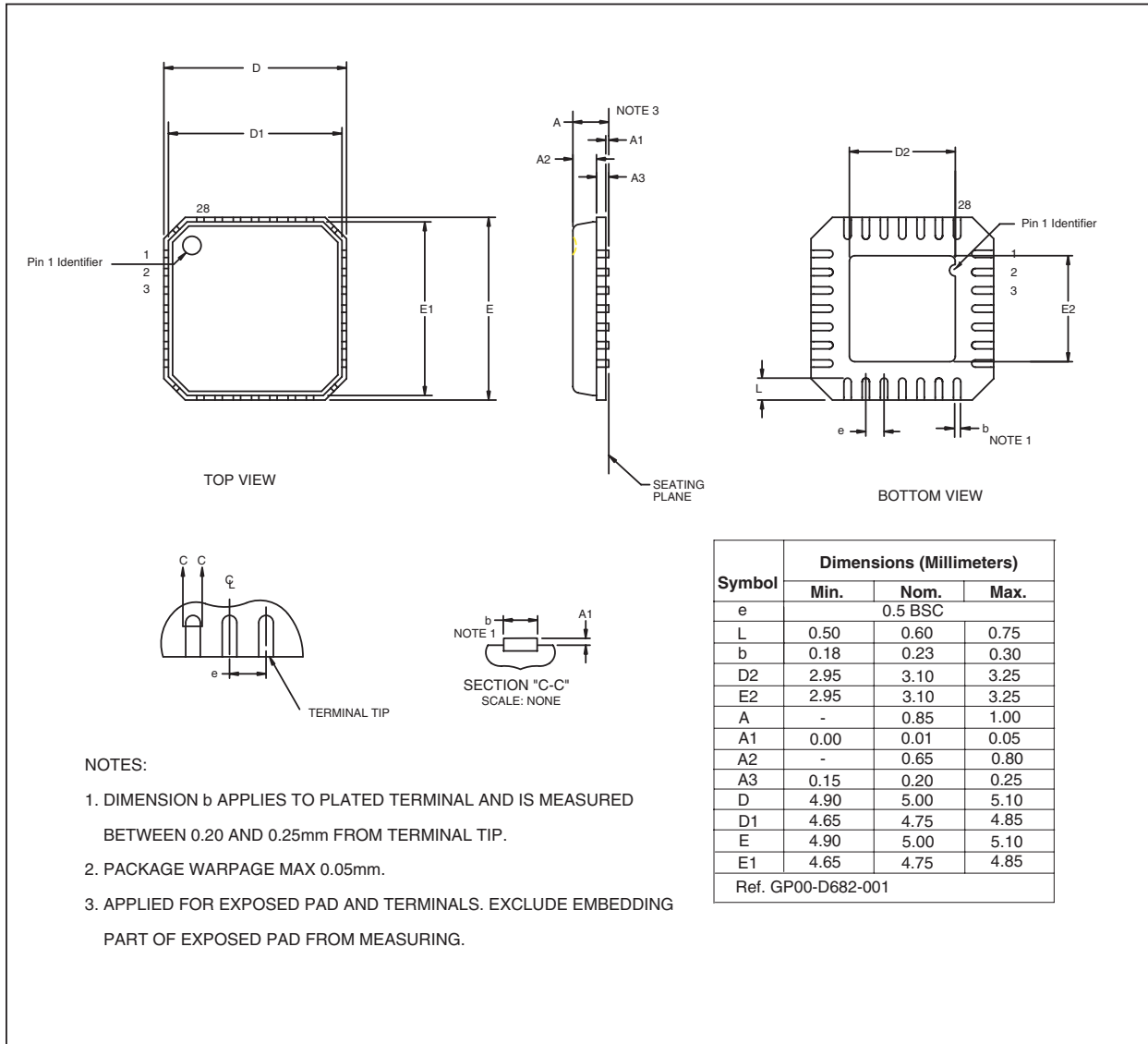


Figure 5-2. Package Dimensions - 38-Pin TSSOP



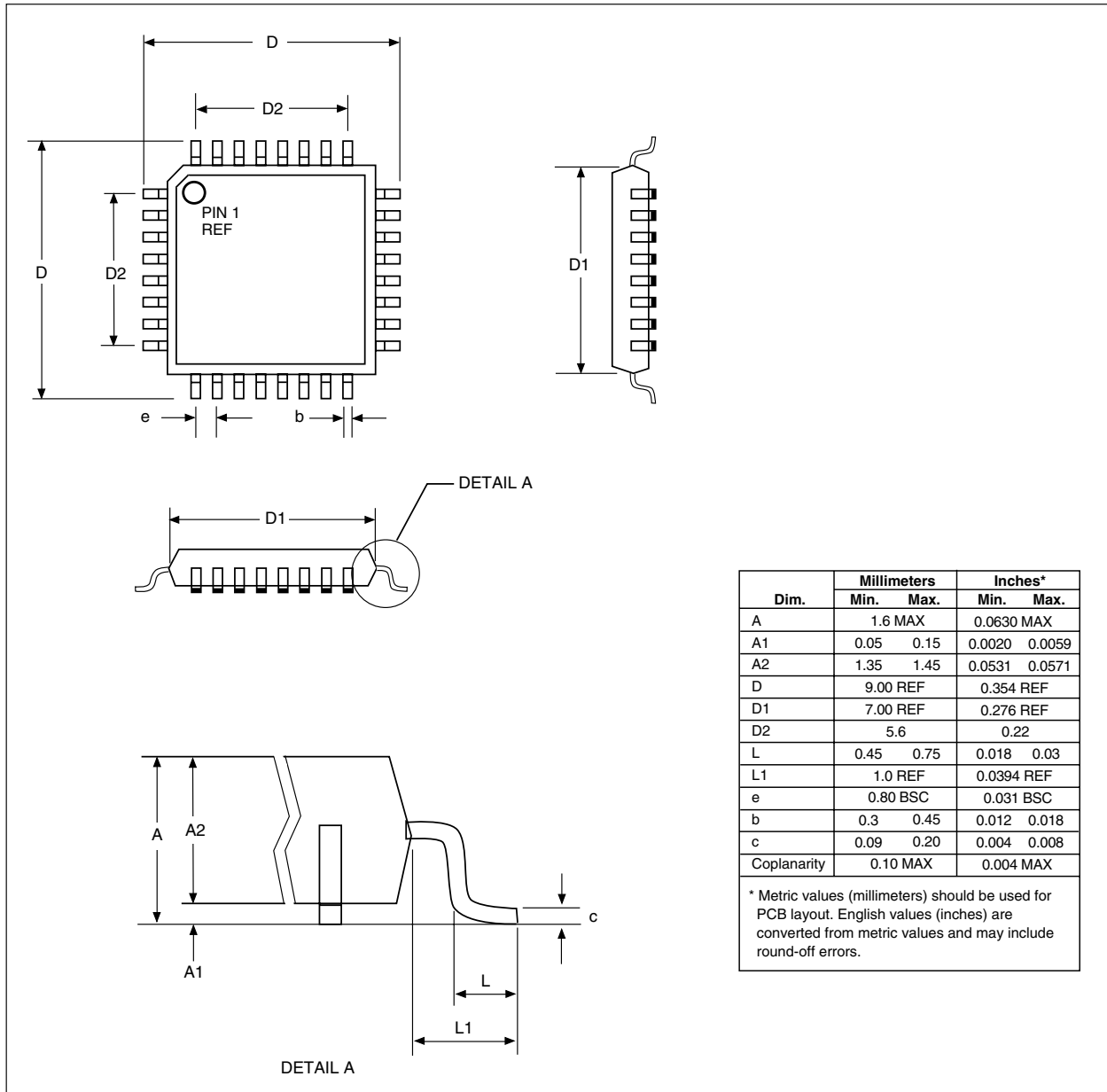
38-Pin TSSOP

Figure 5-3. Package Dimensions - 28-Pin QFN



PD_GP00-D682-001

Figure 5-4. Package Dimensions - 32-Pin LQFP

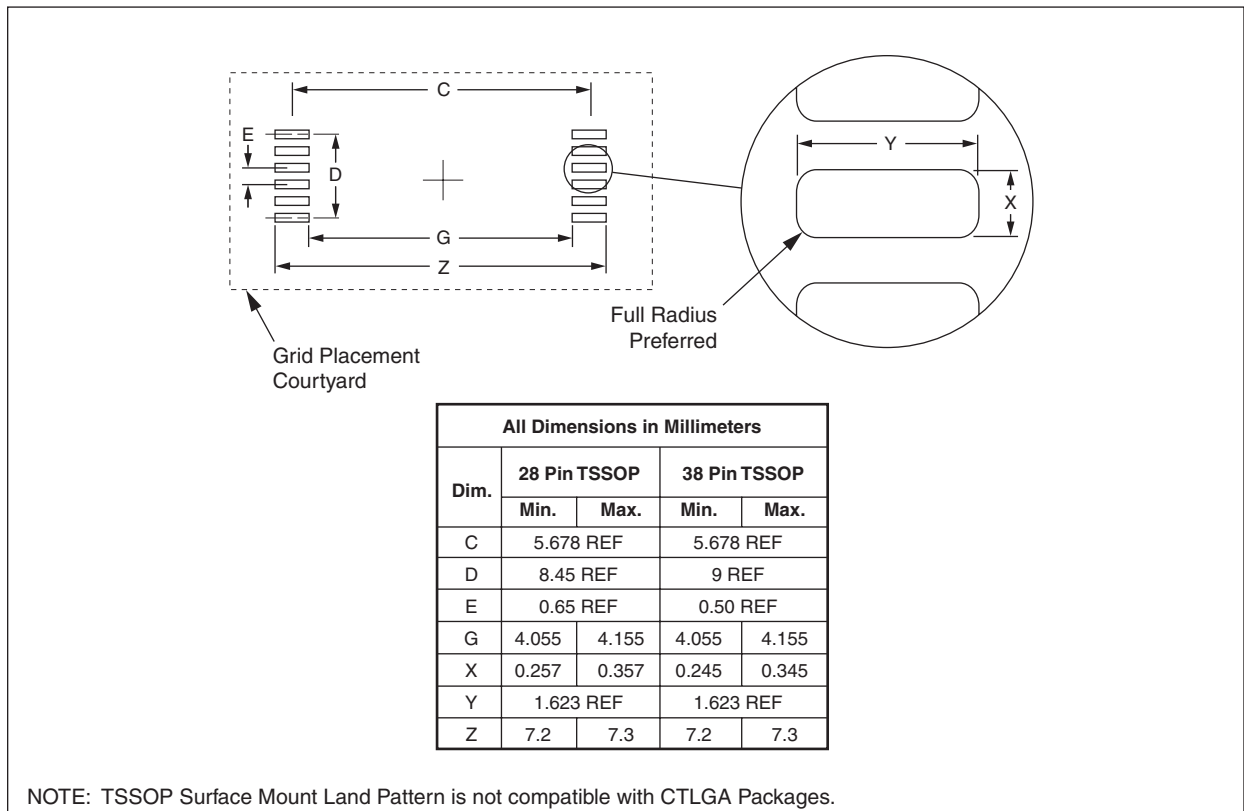


PD-LQFP-32

6. Recommended TSSOP Surface Mount Land Pattern

The recommended TSSOP surface mount land pattern based on the IPC-SM-782 standard for board layout is shown in Figure 6-1.

Figure 6-1. Recommended TSSOP Surface Mount Land Pattern



CX86500_Land_Patterns

This page is intentionally blank.

NOTES

www.conexant.com

General Information:

U.S. and Canada: (888) 855-4562

International: (732) 345-7500

Headquarters – Red Bank

100 Schulz Drive

Red Bank, NJ 07701

